

Cleco®

Parts Manual

SP12-1125

2024-12 REV. F

CellClutch™

Cell Clutch Series

Battery Clutch Assembly Tool



For additional product information visit our website at <http://www.ClecoTools.com>

Copyright © Apex Tool Group, 2024

No part of this document may be reproduced in any way or in any form, in whole or in part, or in a natural or machine-readable language, or transmitted on electronic, mechanical, optical, or other media, without the express permission of the Apex Tool Group.

Disclaimer

The Apex Tool Group reserves the right to modify, supplement, or improve this document or the product without prior notice.

Trademark

Cleco is a registered trademark of Apex Brands, Inc.

Apex Tool Group

670 Industrial Drive
Lexington, SC 29072

Manufacturer:

Apex Tool Group, LLC
670 Industrial Drive
Lexington, South Carolina 29072, USA

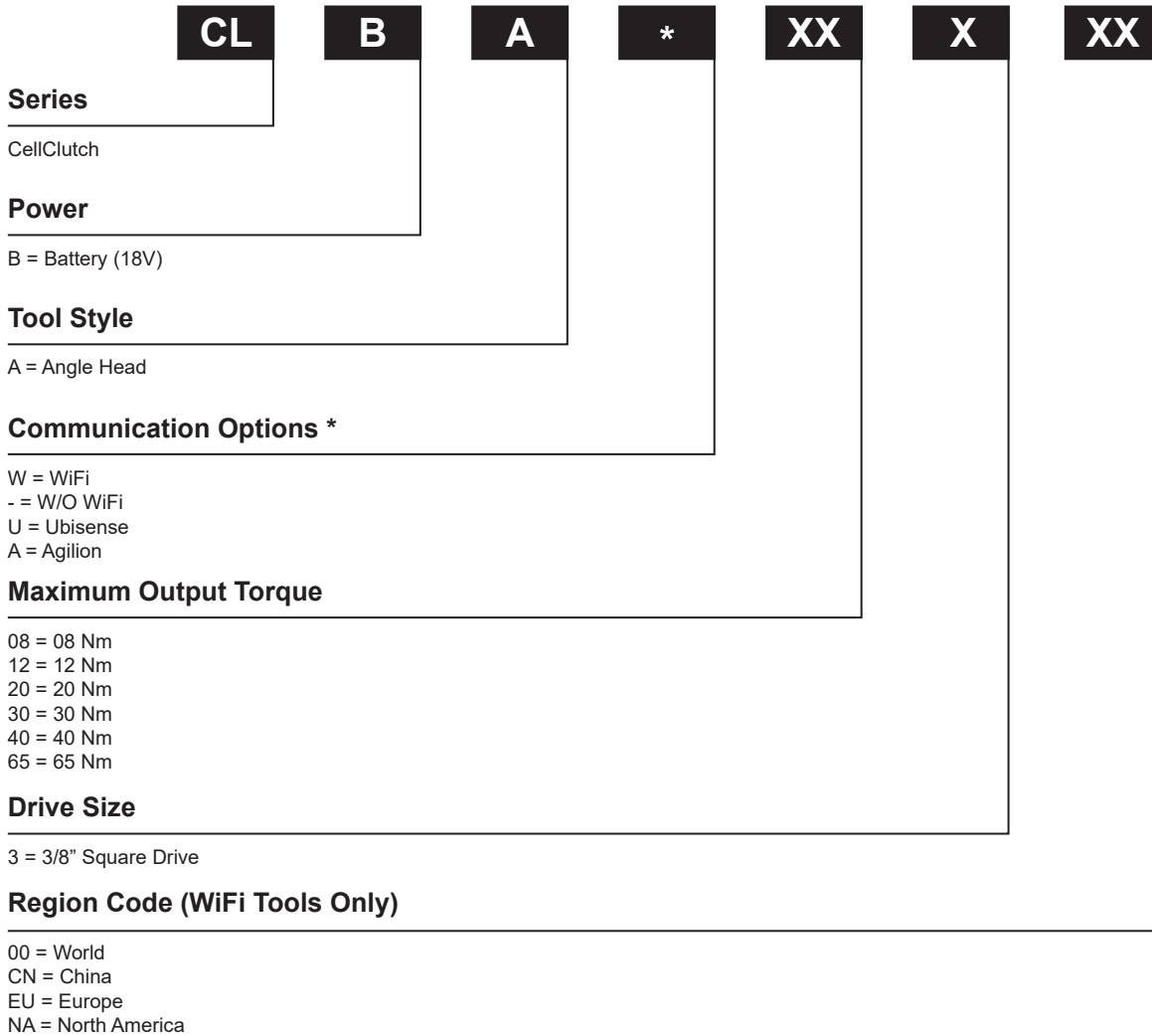
Importers:

Apex Tool Group GmbH
Industriestraße 1
73463 Westhausen, Germany

Further Document for Safety Instructions

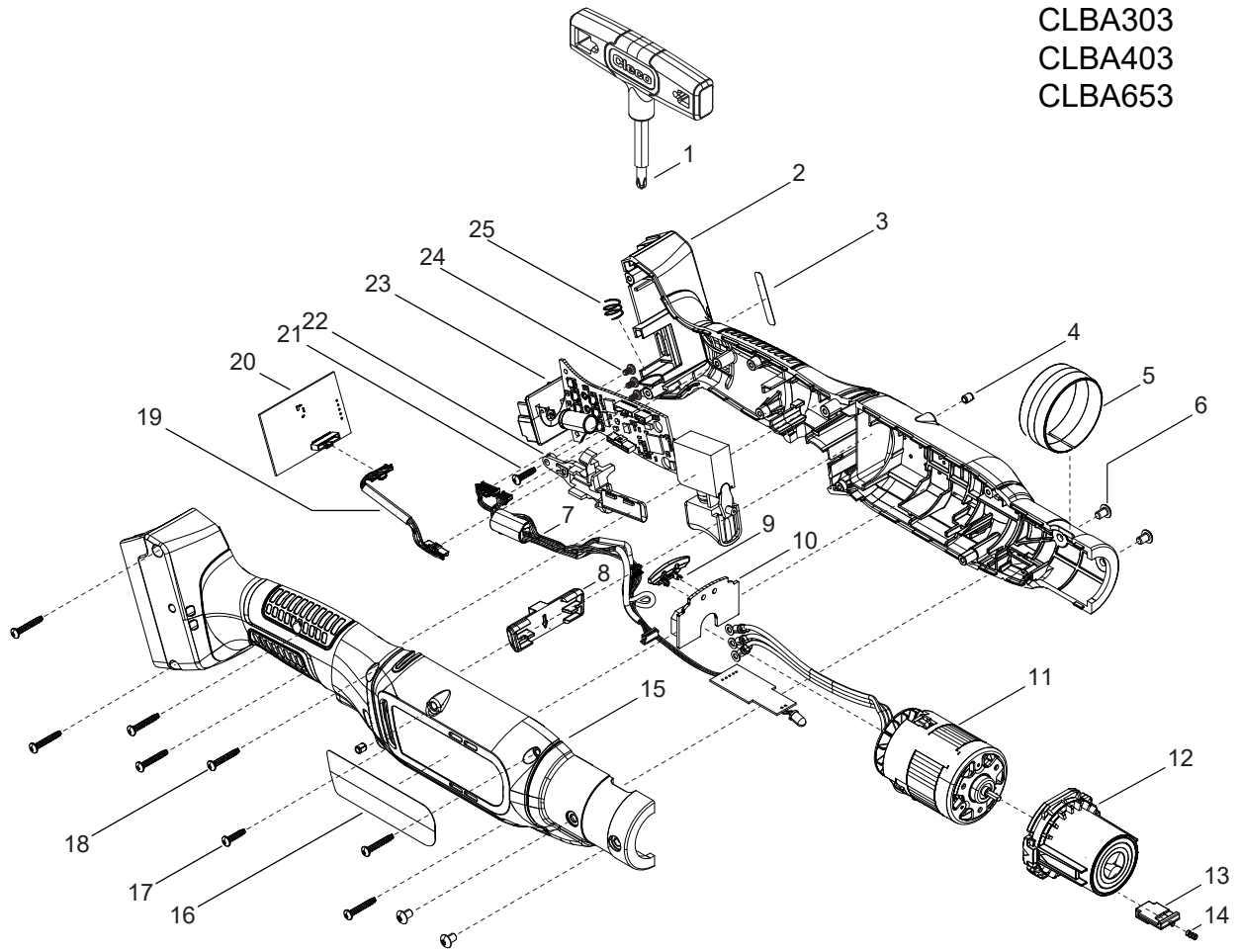
No.	Document type
P2547BA	Instruction Manual Series Cell Clutch

Nomenclature for Right Angle Head Tool



01

MODELS
CLBA083
CLBA123
CLBA203
CLBA303
CLBA403
CLBA653



-  # 6 1.5Nm
-  # 17 1.5Nm
-  # 18 1.5Nm
-  # 21 1.5Nm
-  # 24 1.5Nm

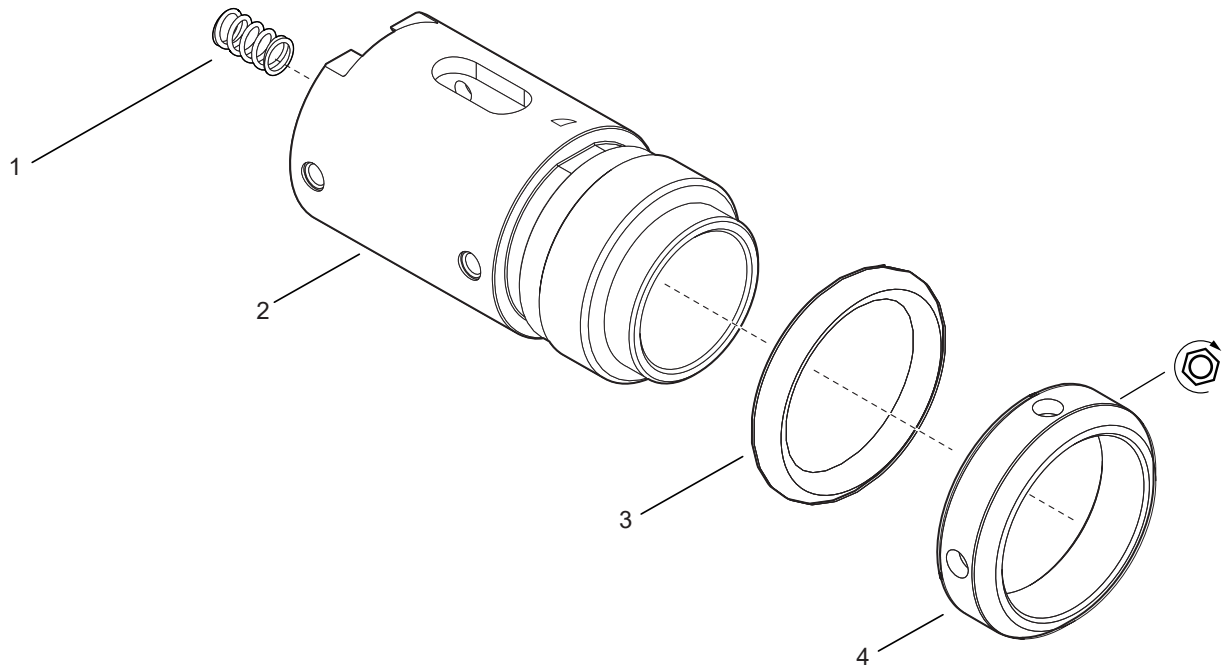
REF	NUMBER	#	EN
			DESCRIPTION
1	T50-1001619	1	Screwdriver
2	T50-1102524	1	Left Hand Right Angle Handle Housing
3	T50-1102532	1	Connect Sticker (WiFi and Bluetooth Only)
4	931791	2	Dowel Pin
5	T50-1001499	1	Ring Cover
6	T50-1000327-2	4	Screws
7	T50-3102182	1	Right Angle Main Harness
8	T50-1000935	1	Slide
9	T50-1000932	1	Status Light Lens
10	T50-1000780	1	Light Ring, PCBA
11	T50-3102211-2	1	Motor
12	See Table 2	1	Gear Case Assembly
13	T50-3102204	1	Right Angle Hall Slide Assembly
14	9D6481	1	Spring
15	T50-1102525	1	Right Hand Right Angle Handle Housing
16	See Table 1	1	Label
17	T50-1000933	1	Screws
18	T50-1000744	7	Screws
19	T50-1001011	1	USB/WiFi Cable
20	See Table 1	1	USB PCBA
21	T50-1000933	1	Screw
22	T50-1102046	1	Wire Routing Mount
23	T50-3102202	1	Electronic Module Assembly
24	T50-1102175	3	Screw
25	208809PT	1	Spring

= Quantity

TABLE 1			REGION CODES				
REF	DESCRIPTION	#	NON-WiFi	00	CN	EU	NA
16	Label	1	T50-1102317	T50-1001179	T50-1001179	T50-1001179	T50-1001179
20	USB/WiFi PCBA	1	T50-1000919	T50-1102247-2	T50-1102247-2	T50-1102247-3	T50-1102247-2

02

MODELS
CLBA083
CLBA123

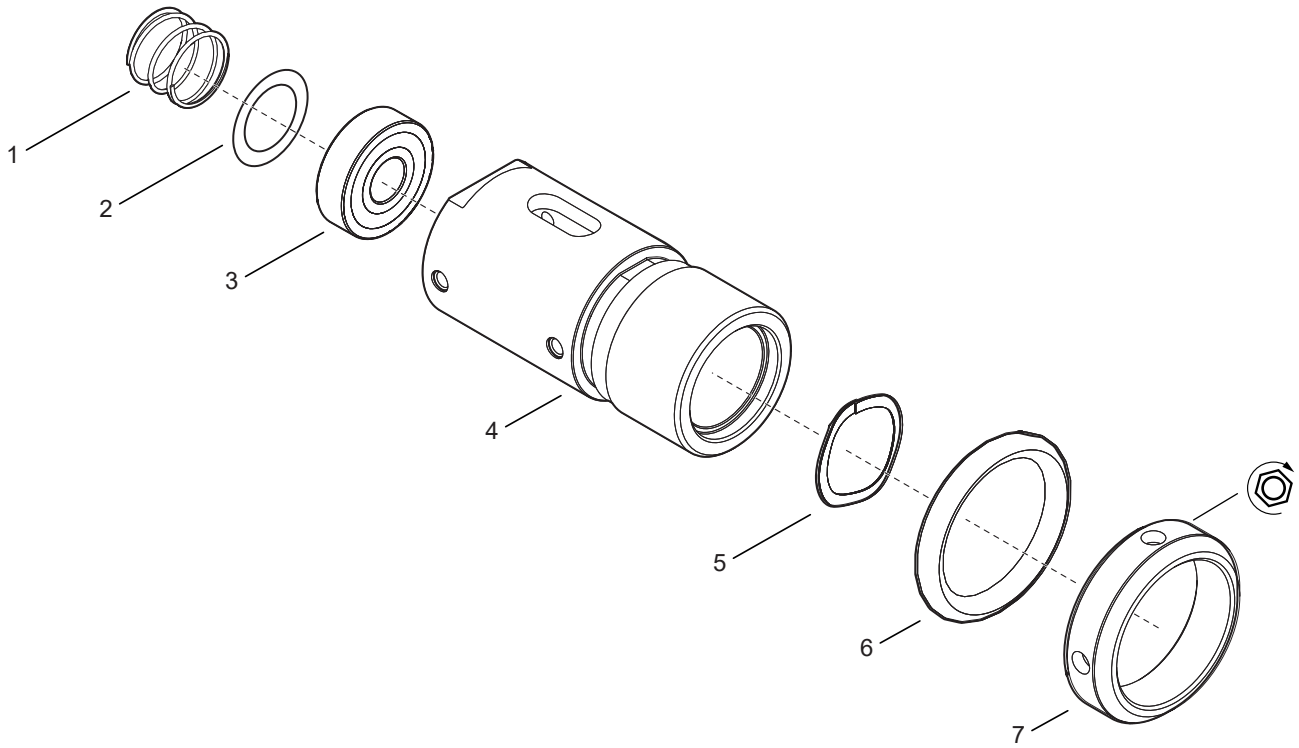


REF	NUMBER	#	EN
			DESCRIPTION
1	T50-1001389	1	Spring
2	T50-1001344	1	Housing
3	T50-1000938-1	1	Torque ID Ring, Black
4	T50-1000873	1	Jam Nut

= Quantity

03

MODELS
CLBA203
CLBA303
CLBA403
CLBA653



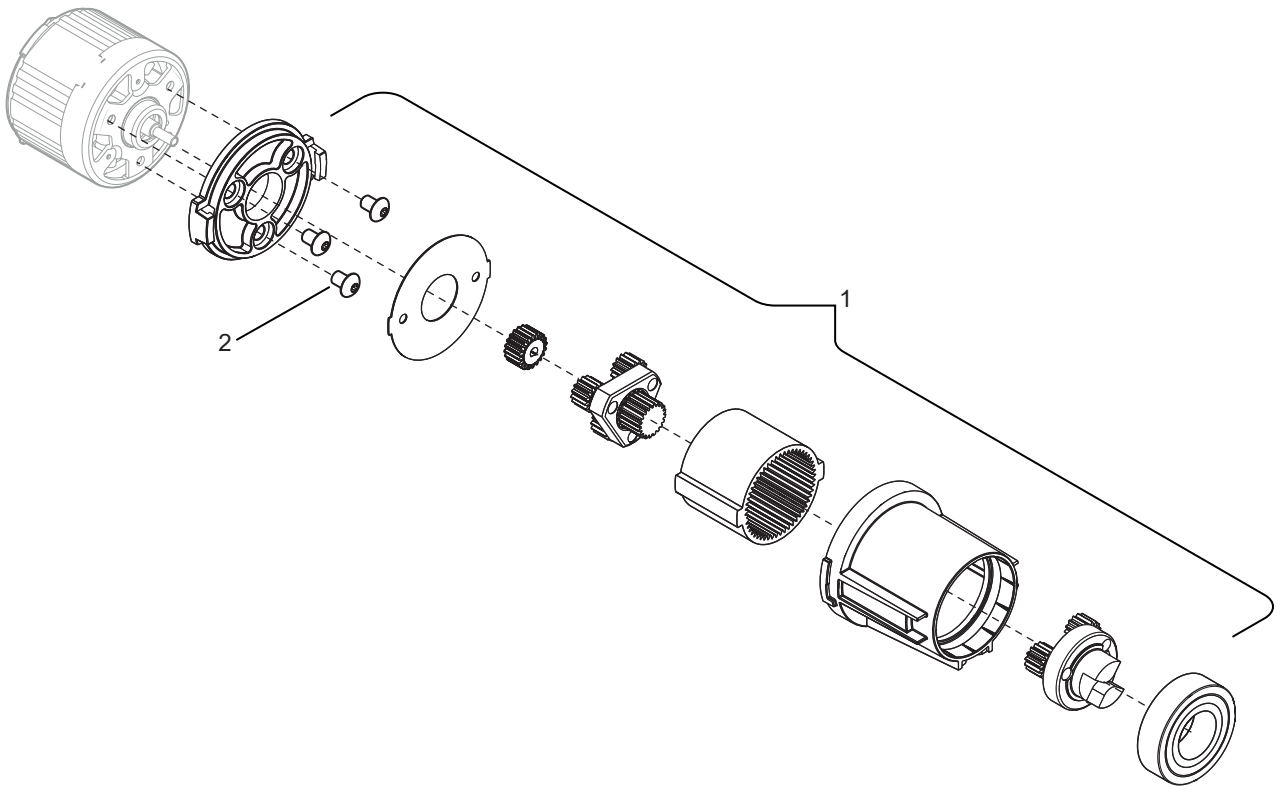
 # 7 68Nm

REF	NUMBER	#	EN
			DESCRIPTION
1	T50-1102522	1	Spring
2	S41000401	1	Washer
3	629353	1	Bearing
4	T50-1000878	1	Housing
5	T50-1000879	1	Washer
6	T50-1000938-1	1	Torque ID Ring, Black
7	T50-1000873	1	Jam Nut

= Quantity

04

MODELS
CLBA083
CLBA123
CLBA203
CLBA303
CLBA403
CLBA653

 # 2 1.5Nm

REF	NUMBER	#	EN
			DESCRIPTION
1	See Table 2	1	Gear Assembly
2	T50-1000327-2	3	Screw

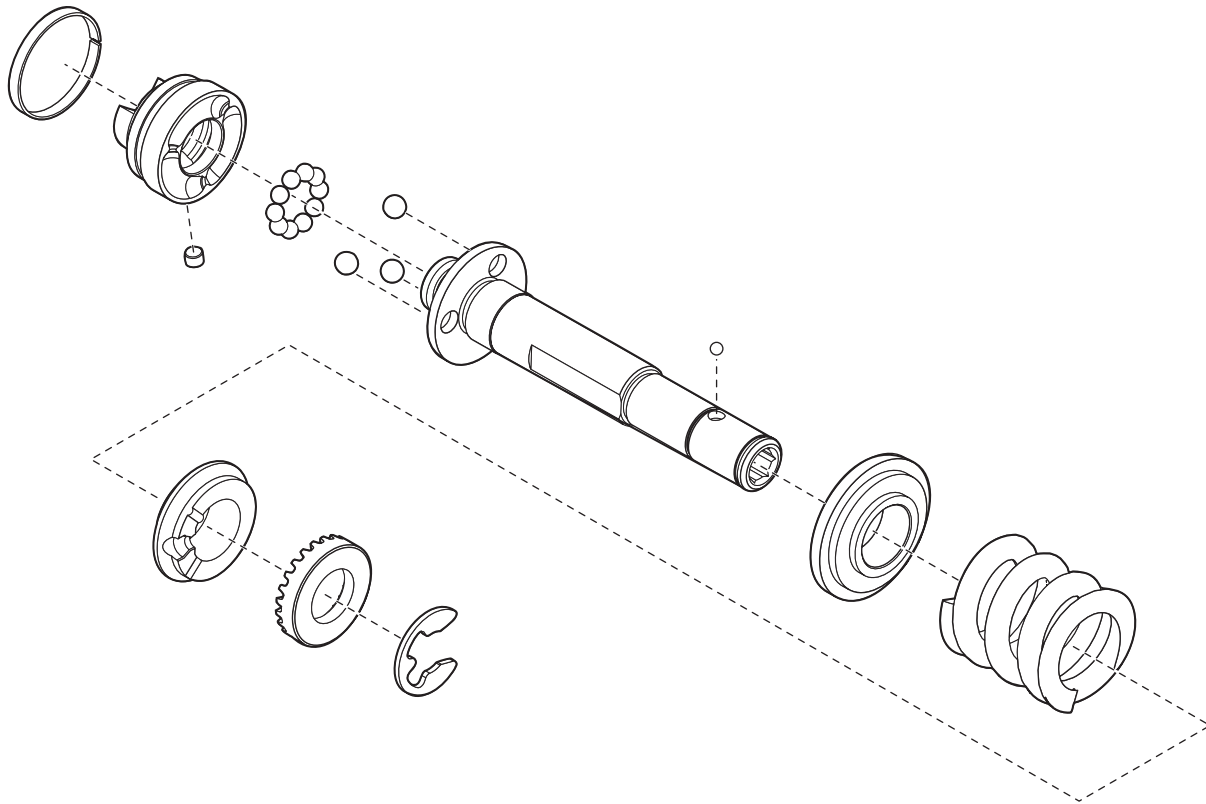
= Quantity

TABLE 2								
REF	DESCRIPTION	#	CLBA*083	CLBA*123	CLBA*203	CLBA*303	CLBA*403	CLBA*653
1	Gear Assembly	1	T50-3102192	T50-3102193	T50-3102194	T50-3102195	T50-3102192	T50-3102192

= Quantity

05

MODELS
CLBA083
CLBA203
CLBA303
CLBA403
CLBA653

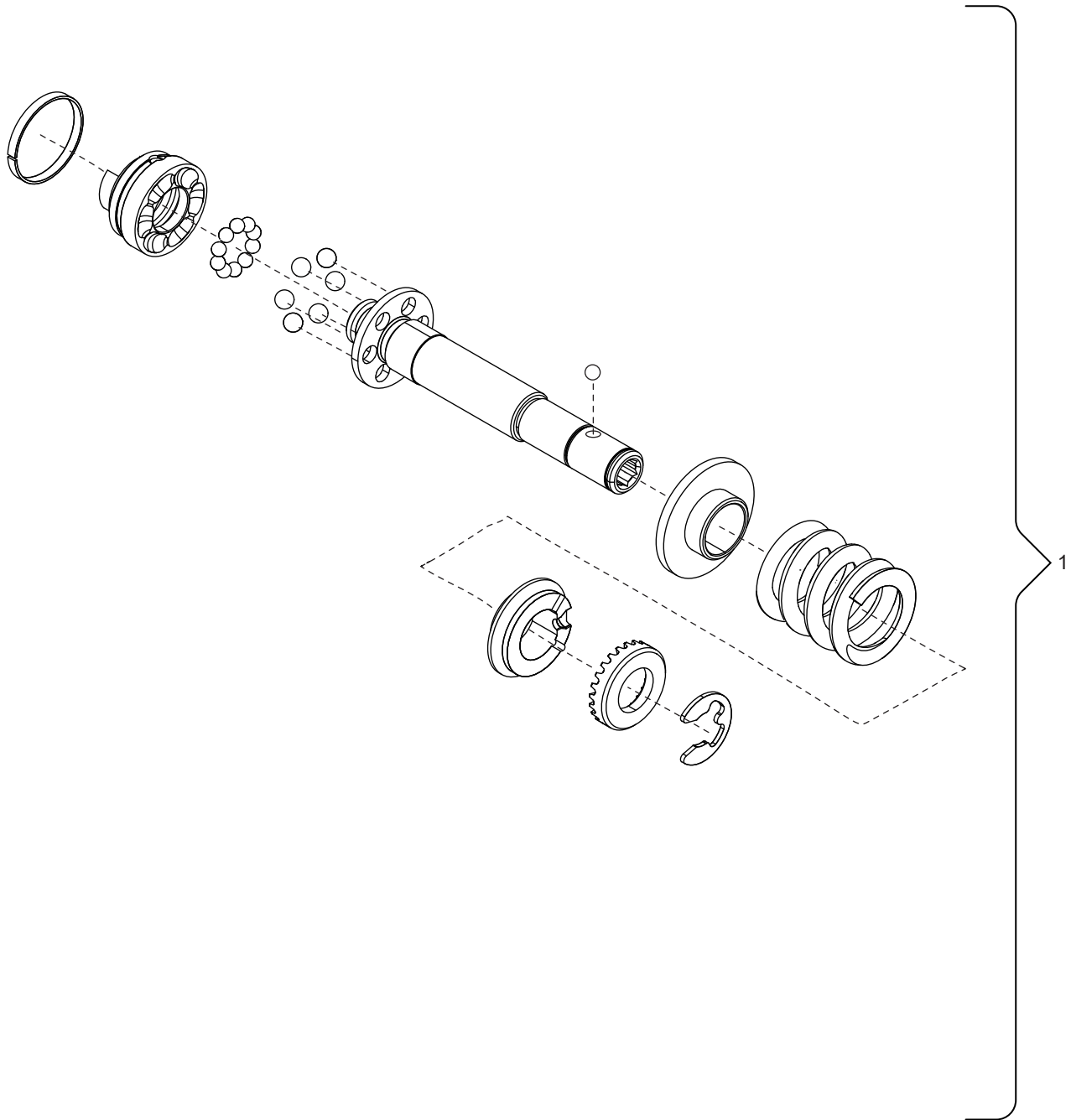


REF	NUMBER	#	EN
			DESCRIPTION
1	T50-3102199	1	Clutch Assembly

= Quantity

06

MODELS
CLBA123

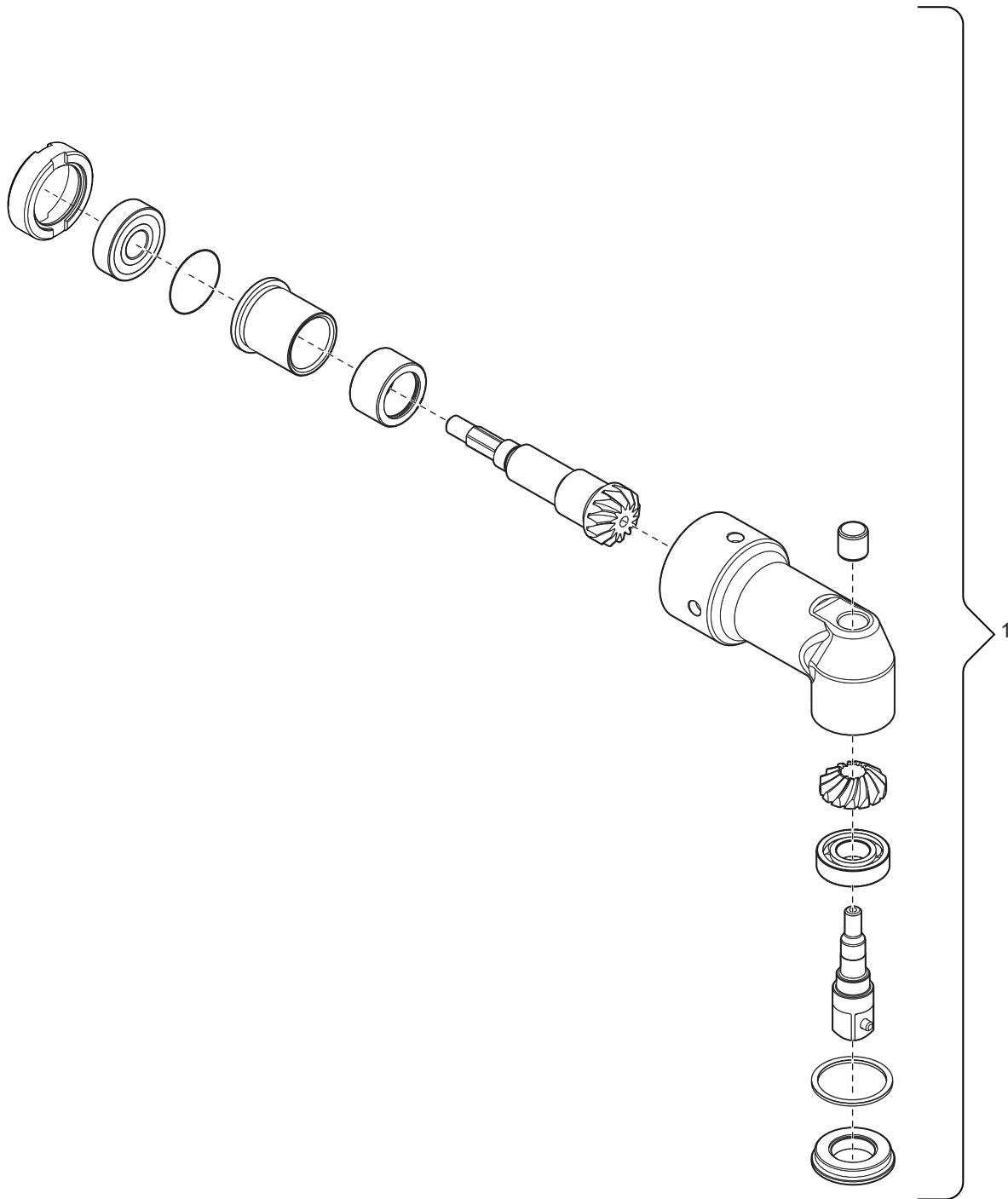


REF	NUMBER	#	EN
			DESCRIPTION
1	T50-3102200	1	Clutch Assembly

= Quantity

07

MODELS
CLBA083
CLBA123

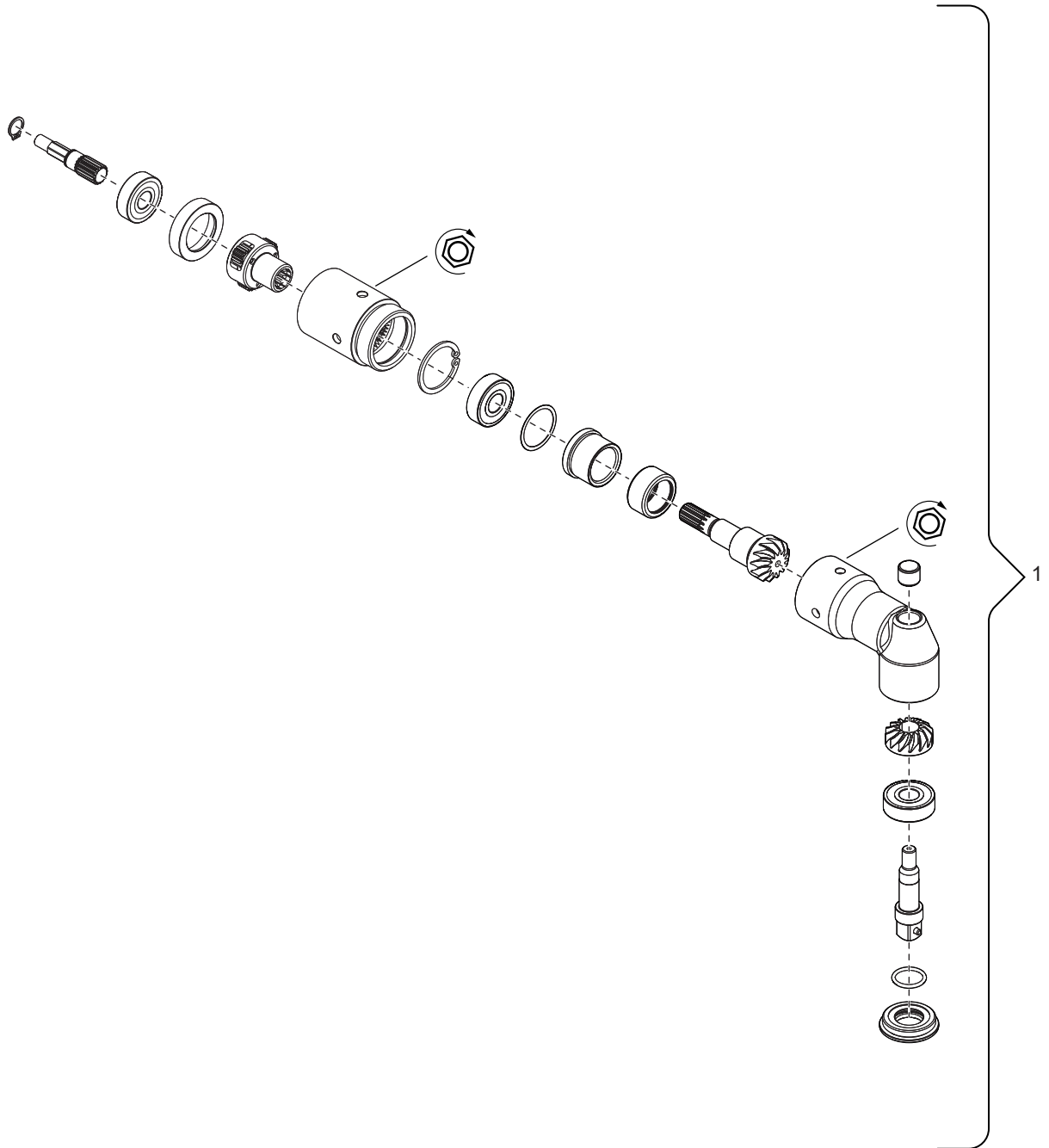


REF	NUMBER	#	EN
			DESCRIPTION
1	T50-3000709	1	Right Angle Assembly

= Quantity

08

MODELS
CLBA203
CLBA303

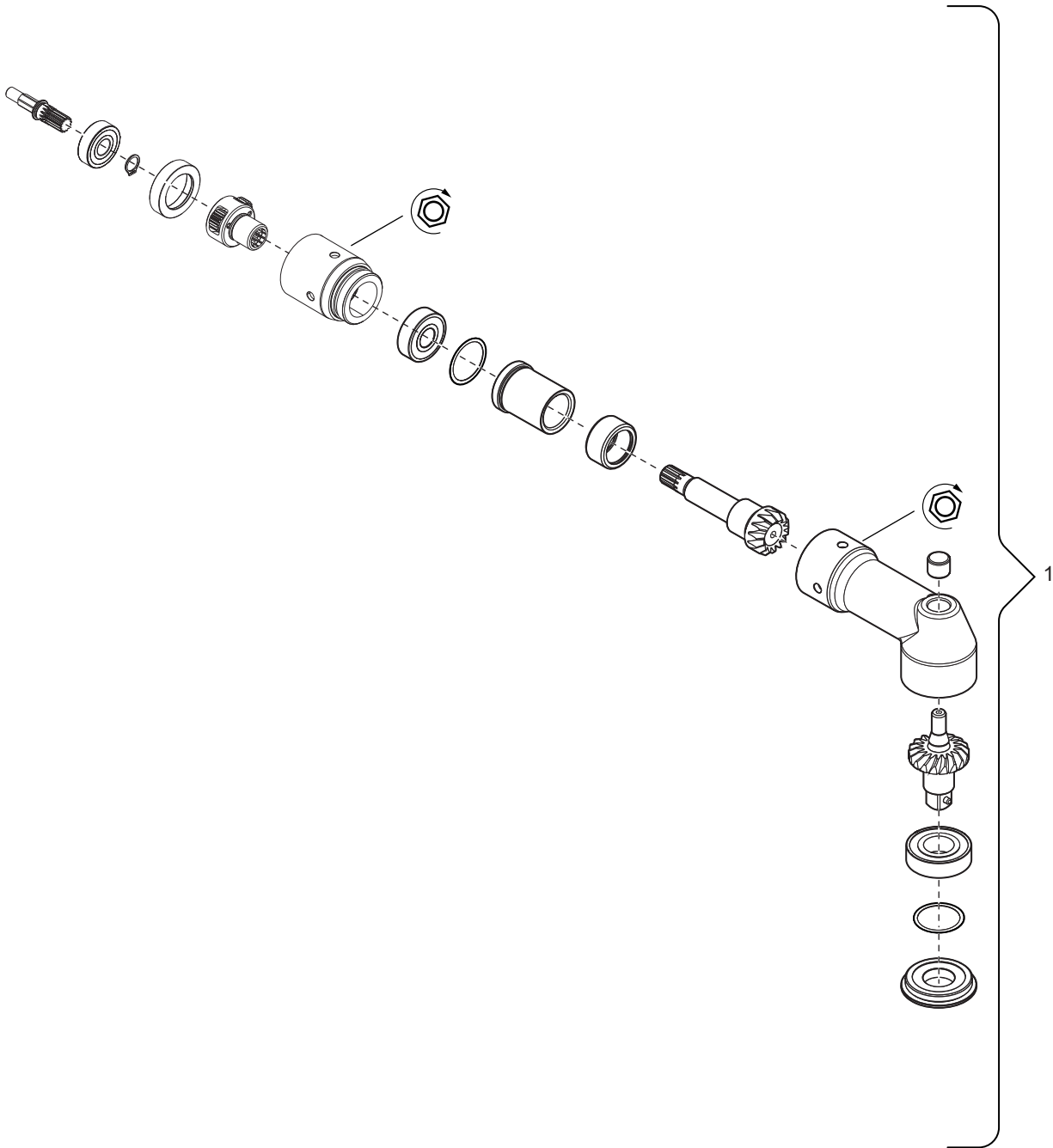


REF	NUMBER	#	EN
			DESCRIPTION
1	T50-3102014	1	Right Angle Assembly

= Quantity

09

MODELS
CLBA403



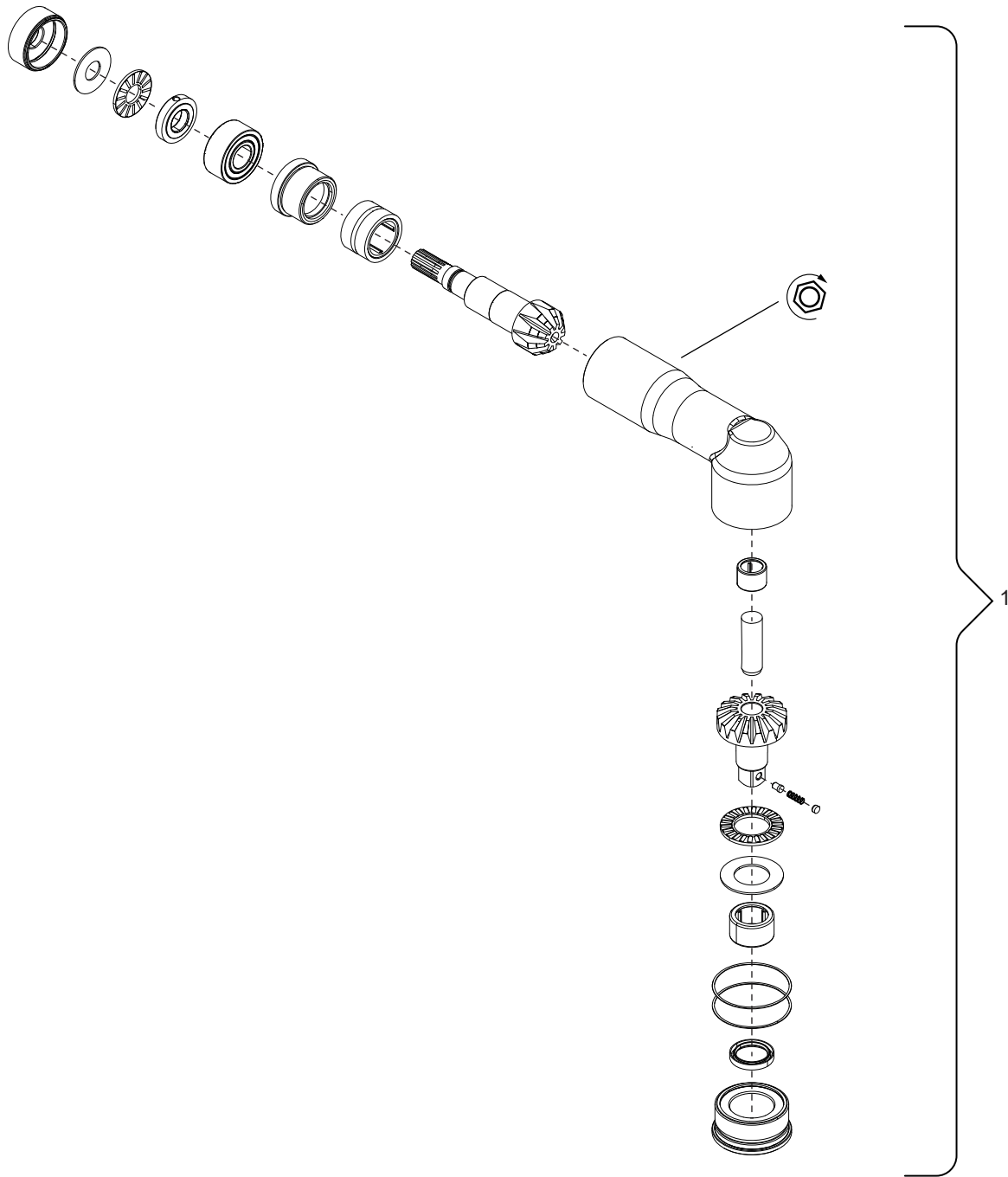
 68Nm

REF	NUMBER	#	EN
			DESCRIPTION
1	T50-3102015	1	Right Angle Assembly

= Quantity

10

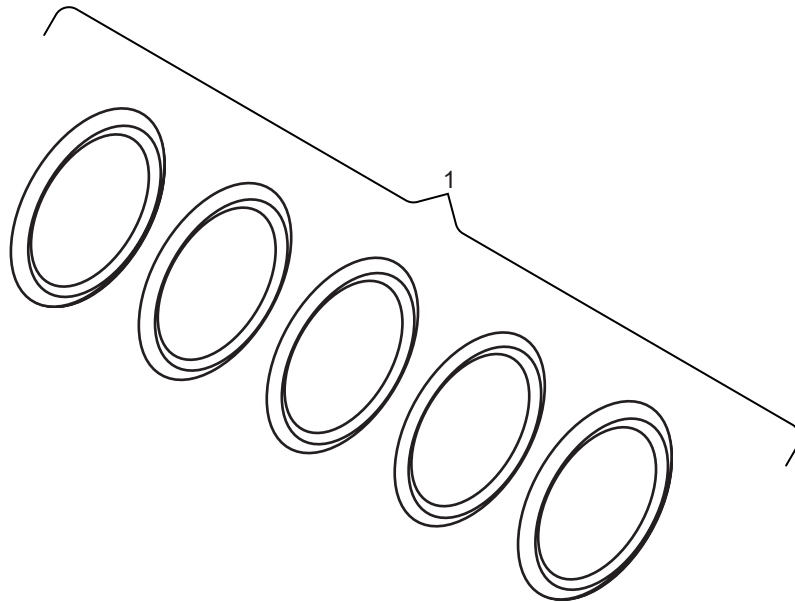
MODELS
CLBA653



 68 Nm

REF	NUMBER	#	EN
			DESCRIPTION
1	T50-3102090	1	Right Angle Assembly

= Quantity

11CELLCLUTCH
RIGHT ANGLE
ACCESSORIES

REF	NUMBER	#	EN
			DESCRIPTION
1	T50-3000711	1	Right Angle Assembly

= Quantity

POWER TOOLS SALES & SERVICE CENTERS

Please note that all locations may not service all products.

Contact the nearest Cleco® Sales & Service Center for the appropriate facility to handle your service requirements.

 Sales Center

 Service Center

NORTH AMERICA | SOUTH AMERICA

Detroit, Michigan

Apex Tool Group
2630 Superior Court
Auburn Hills, MI 48236
Phone: +1 (248) 393-5644
Fax: +1 (248) 391-6295

Lexington, South Carolina

Apex Tool Group
670 Industrial Drive
Lexington, SC 29072
Phone: +1 (800) 845-5629
Phone: +1 (919) 387-0099
Fax: +1 (803) 358-7681

Mexico

Apex Tool Group
Vialidad El Pueblito #103
Parque Industrial Querétaro
Querétaro, QRO 76220
Mexico
Phone: +52 (442) 211 3800
Fax: +52 (800) 685 5560

Brazil

Apex Tool Group
Av. Liberdade, 4055
Zona Industrial Iporanga
Sorocaba, São Paulo
CEP# 18087-170
Brazil
Phone: +55 15 3238 3870
Fax: +55 15 3238 3938

EUROPE | MIDDLE EAST | AFRICA

England

Apex Tool Group GmbH
C/O Spline Gauges
Piccadilly, Tamworth
Staffordshire B78 2ER
United Kingdom
Phone: +44 1827 8727 71
Fax: +44 1827 8741 28

France

Apex Tool Group SAS
25 Avenue Maurice Chevalier - ZI
77330 Ozoir-la-Ferrière
France
Phone: +33 1 64 43 22 00
Fax: +33 1 64 43 17 17

Germany

Apex Tool Group GmbH
Industriestraße 1
73463 Westhausen
Germany
Phone: +49 (0) 73 63 81 0
Fax: +49 (0) 73 63 81 222

Hungary

Apex Tool Group
Hungária Kft.
Platánfa u. 2
9027 Győr
Hungary
Phone: +36 96 66 1383
Fax: +36 96 66 1135

ASIA PACIFIC

Australia

Apex Tool Group
519 Nurigong Street, Albury
NSW 2640
Australia
Phone: +61 2 6058 0300

China

Apex Power Tool Trading
(Shanghai) Co., Ltd.
2nd Floor, Area C
177 Bi Bo Road
Pu Dong New Area, Shanghai
China 201203 P.R.C.
Phone: +86 21 60880320
Fax: +86 21 60880298

India

Apex Power Tool India
Private Limited
Gala No. 1, Plot No. 5
S. No. 234, 235 & 245
Indialand Global
Industrial Park
Taluka-Mulsi, Phase I
Hinjawadi, Pune 411057
Maharashtra, India
Phone: +91 020 66761111

Japan

Apex Tool Group Japan
Korin-Kaikan 5F,
3-6-23 Shibakoen, Minato-Ku,
Tokyo 105-0011, JAPAN
Phone: +81-3-6450-1840
Fax: +81-3-6450-1841

Korea

Apex Tool Group Korea
#1503, Hibrand Living Bldg.,
215 Yangjae-dong,
Seocho-gu, Seoul 137-924,
Korea
Phone: +82-2-2155-0250
Fax: +82-2-2155-0252

Cleco[®]
Production Tools

Apex Tool Group, LLC

Phone: +1 (800) 845-5629
Phone: +1 (919) 387-0099
Fax: +1 (803) 358-7681
www.ClecoTools.com
www.ClecoTools.de