

**Cleco**<sup>®</sup>

Parts Manual

SP12-1128

2024-08 | REV. C

**CellCore**<sup>™</sup>

**Cell Core Series**

Cordless EC Tool



For additional product information visit our website at <http://www.ClecoTools.com>

Copyright © Apex Tool Group, 2020

No part of this document may be reproduced in any way or in any form, in whole or in part, or in a natural or machine-readable language, or transmitted on electronic, mechanical, optical, or other media, without the express permission of the Apex Tool Group.

### **Disclaimer**

The Apex Tool Group reserves the right to modify, supplement, or improve this document or the product without prior notice.

### **Trademark**

Cleco is a registered trademark of Apex Brands, Inc.

### **Apex Tool Group**

670 Industrial Drive  
Lexington, SC 29072

### **Manufacturer:**

Apex Tool Group, LLC  
670 Industrial Drive  
Lexington, South Carolina 29072, USA

### **Importers:**

Apex Tool Group GmbH  
Industriestraße 1  
73463 Westhausen, Germany

Apex Tool Group SAS  
25 Avenue Maurice Chevalier - ZI  
77330 Ozoir-La-Ferrière  
France

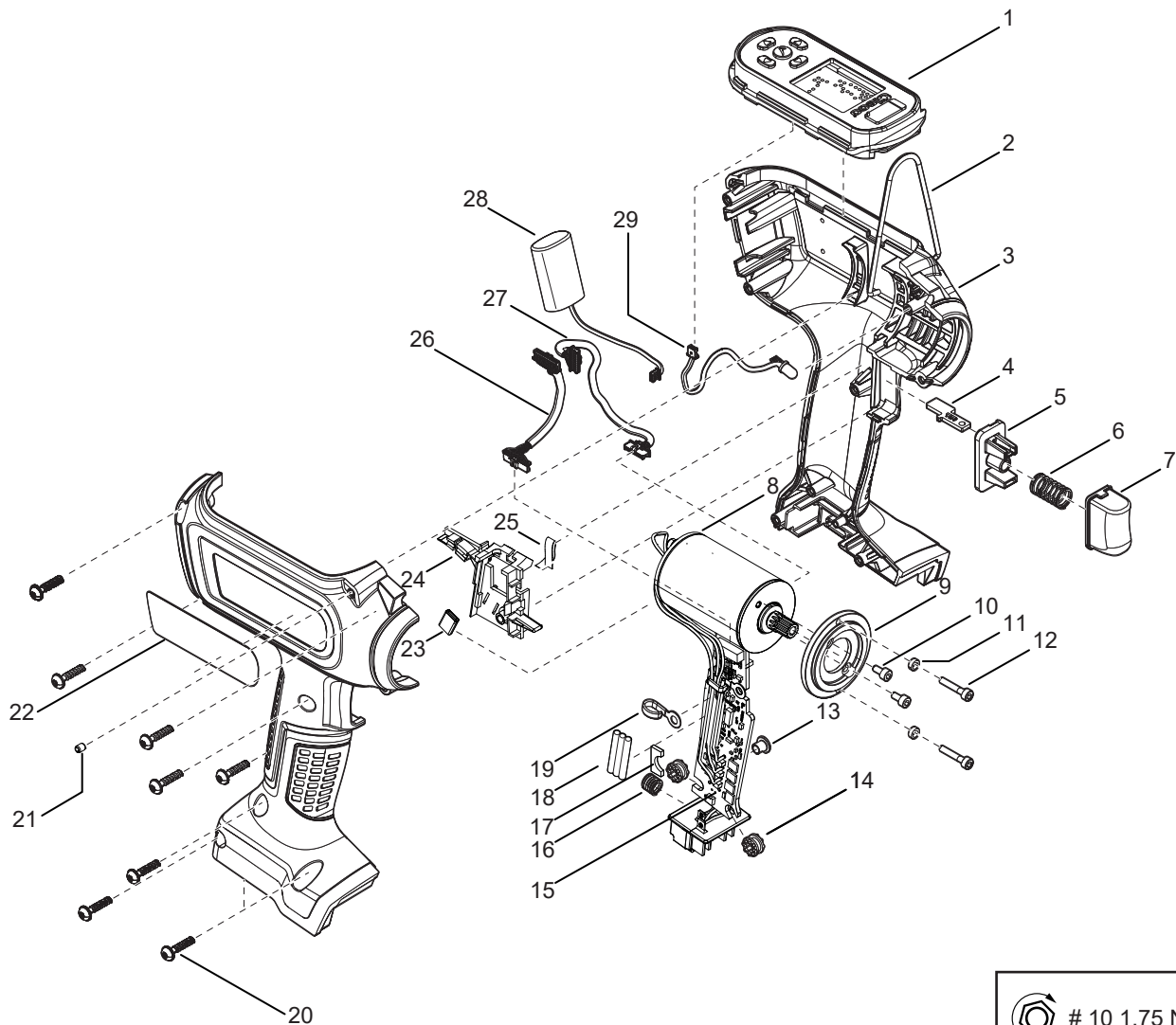
### **Further Document for Safety Instructions**

<b>No.</b>	<b>Document type</b>
P2390BA	Instruction Manual CCBA & CCBP



**01**

MODELS  
CCBPW04Q  
CCBPW12Q  
CCBPW22Q  
CCBPW123  
CCBPW223



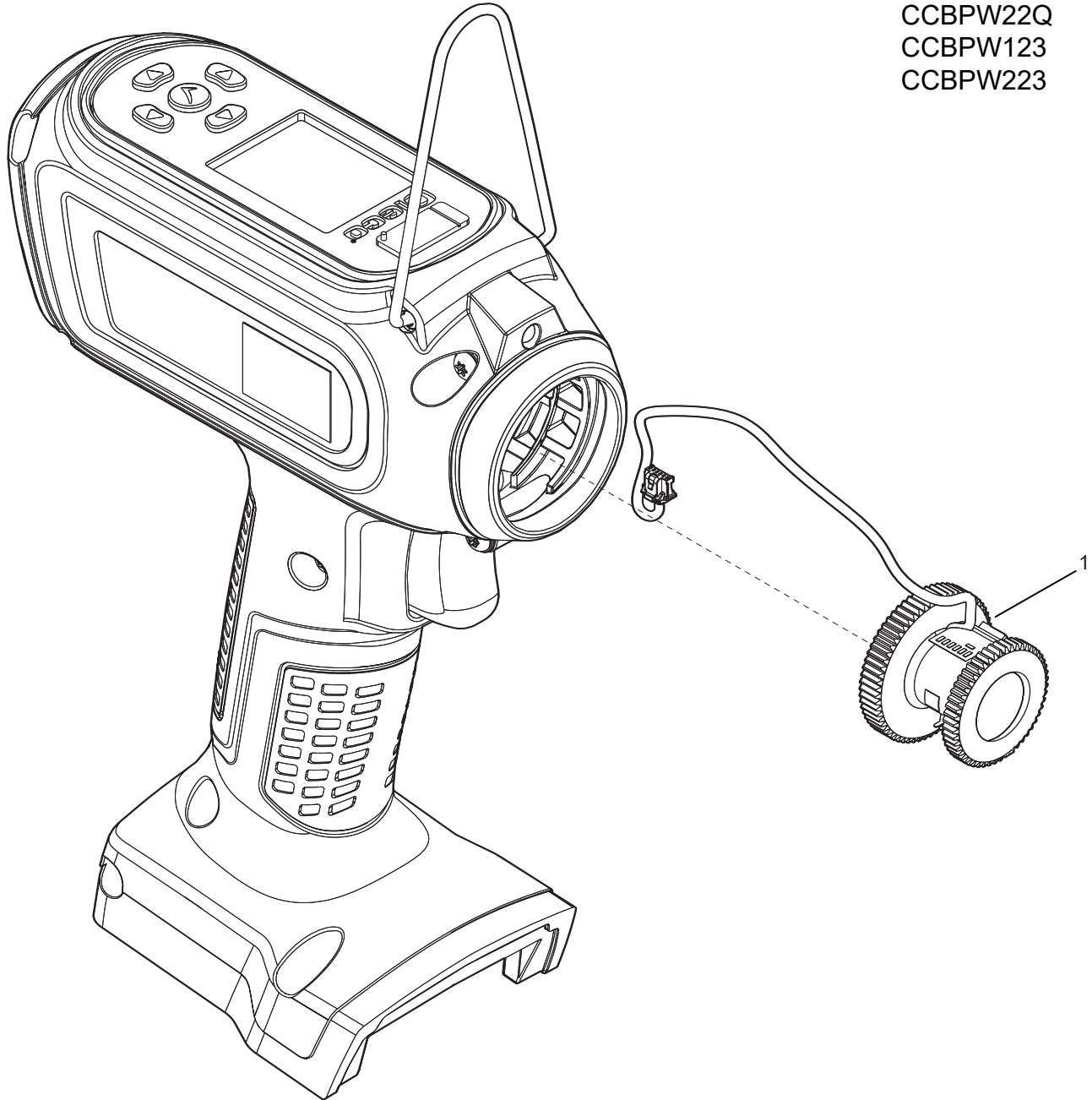
-  # 10 1.75 Nm
-  # 12 2 Nm
-  # 20 1.75 Nm

REF	NUMBER	#	EN
			DESCRIPTION
1	T50-3102176	1	Measurement Card
2	931962	1	Suspension Bail
3	T50-3000798	1	Pistol Housing
4	T55-1000029-B1	1	Pistol Trigger Board
5	T50-1000344	1	Trigger Mount
6	T50-1000348	1	Spring
7	T50-3000244	1	Trigger Pistol
8	T50-1000385	1	O-Ring
9	T50-3000509-1	1	Motor
10	T50-1000324	1	Motor Mount
11	94234135	1	Screw
12	1110066	2	Washer
13	94234155	2	Screw
14	T50-1000600	1	Spacer
15	T50-1000511	2	Dampner
16	T50-3102097	1	Tightening Module
17	T50-1000484	1	Spring
18	T50-1102193	1	Ground Clip
19	T50-1001496	1	CC Servo Wire Socket
20	T50-1000595	1	Cable Clamp (Optional)
21	T50-1000537	8	Screw
22	931791	2	Pin
23	T50-1000596	1	Side Label
24	T50-1000693	1	Ribbon Cable Ferrite
25	T50-1001412	1	Pistol Servo Mount
26	T50-1001485	1	FCC Jumper Cable
27	T55-1000042	1	Servo Cable
28	T55-1000041	1	Encoder Cable
29	T50-1000864	1	Capacitor
30	T55-1000043	1	Work Light

# = Quantity

02

MODELS  
CCBPW04Q  
CCBPW12Q  
CCBPW22Q  
CCBPW123  
CCBPW223



REF	NUMBER	#	EN
			DESCRIPTION
1	See Table 1	1	Transducer

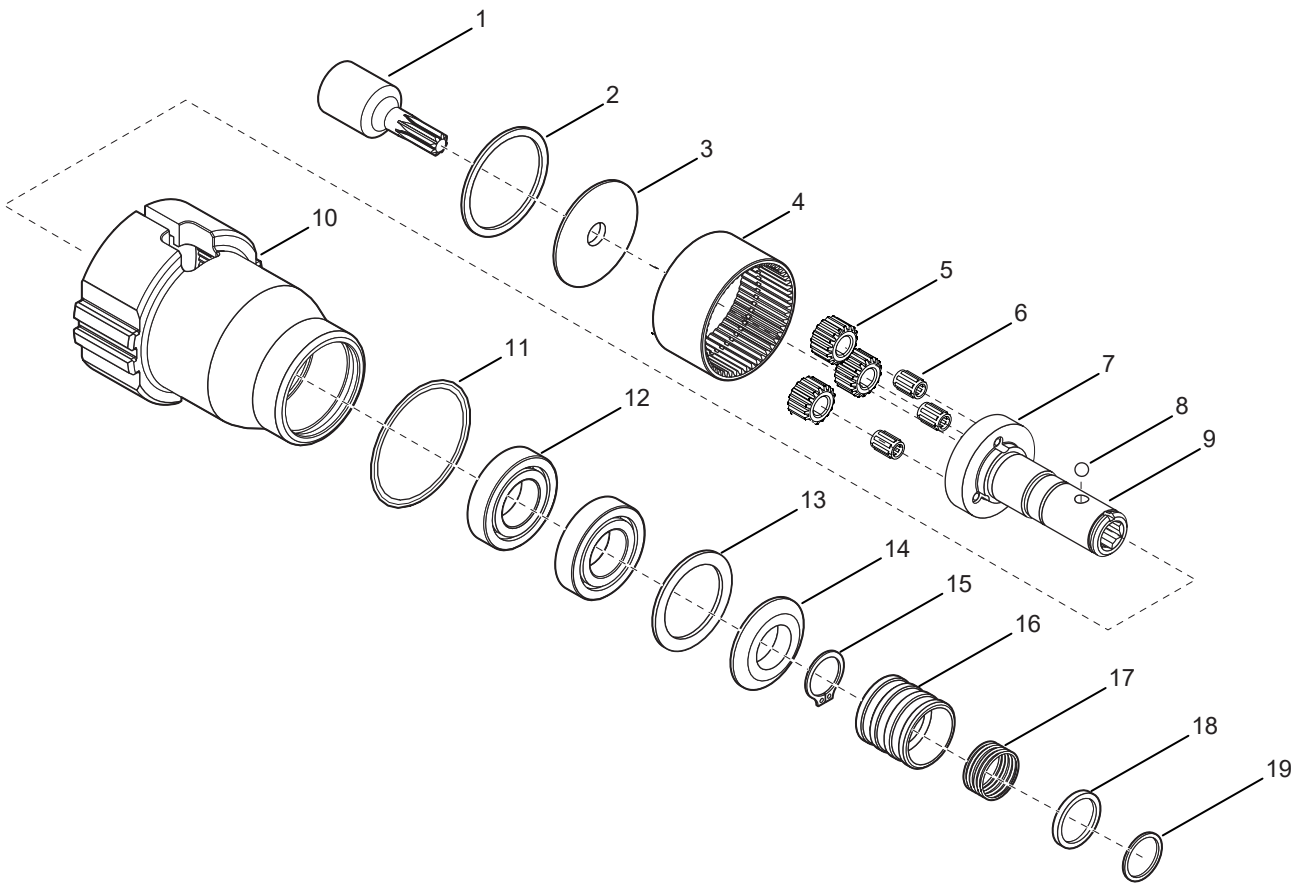
# = Quantity

TABLE 1							
REF	DESCRIPTION	#	CCBPW04Q	CCBPW12Q	CCBPW22Q	CCBPW123	CCBPW223
1	Transducer	1	T55-3000010-04	T55-3000010-12	T55-3000010-22	T55-3000010-12	T55-3000010-22

# = Quantity

**03**

MODELS  
CCBPW04Q



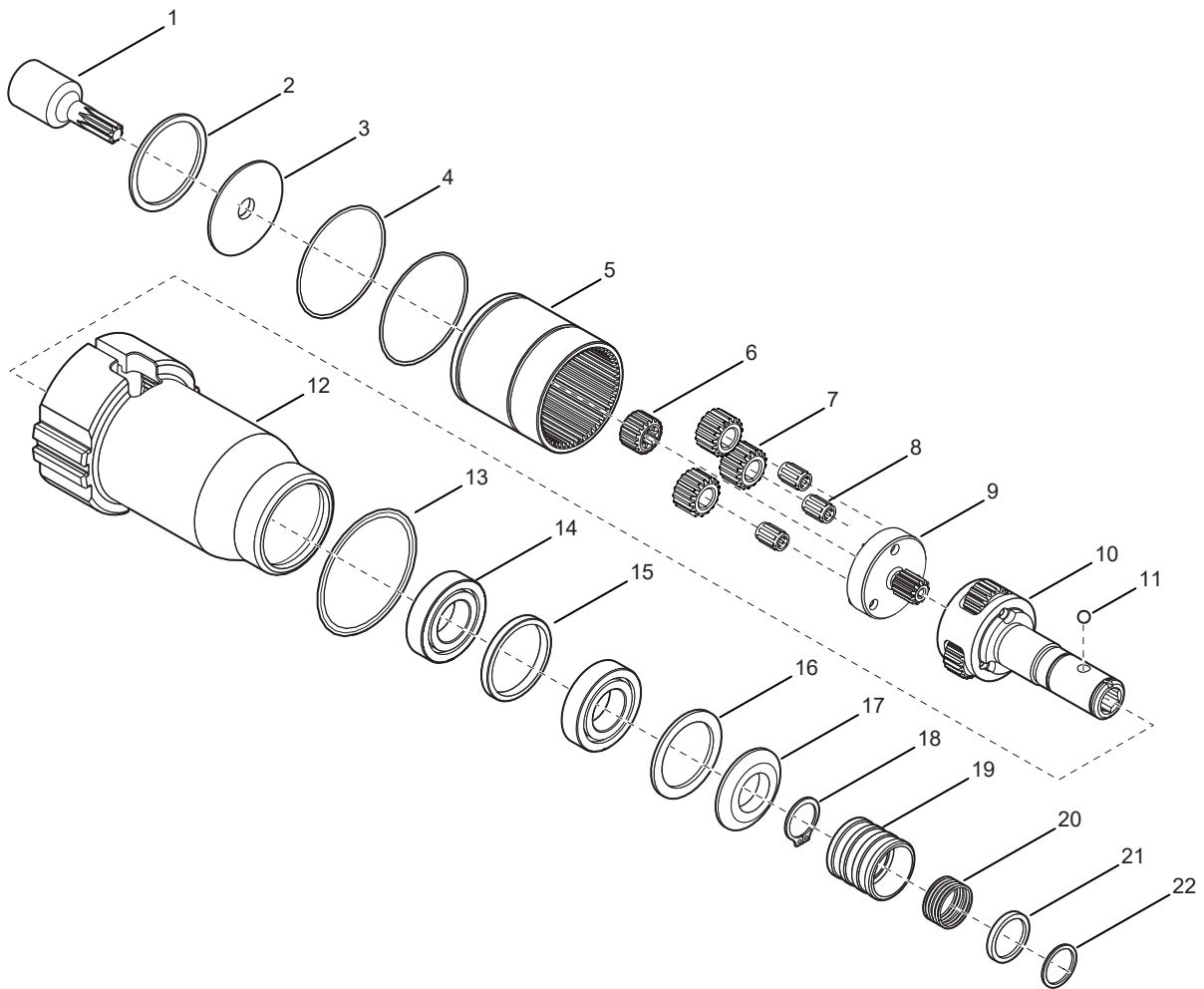


18REF	NUMBER	#	EN
			DESCRIPTION
1	541898	1	Pinion
2	800116	1	Retaining Ring
3	541887	1	Washer
4	542090	1	Ring Gear
5	541893	3	Gear
6	203749	3	Cage Bearing
7	542092	1	Spindle
8	844265	1	Ball
9	T50-1000312	1	Gear Case
10	T50-1000386	1	O-Ring
11	542089	2	Bearing
12	542076	1	Ring
13	541914	1	Spindle Washer
14	833688	1	Ring
15	536592	1	Slip Chuck
16	540842	1	Spring
17	540800	1	Washer
18	503009	1	Ring

# = Quantity

**04**

MODELS  
CCBPW12Q

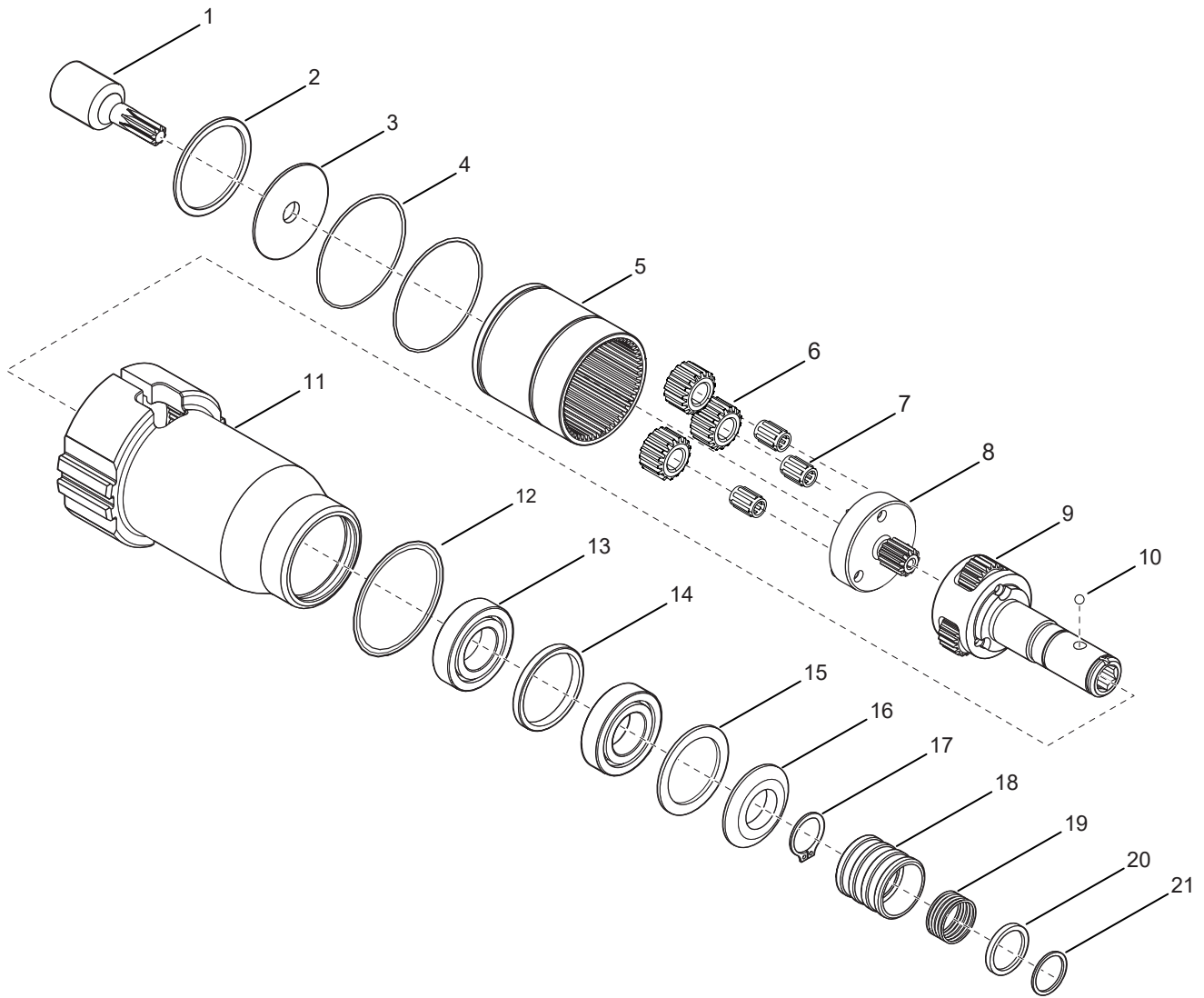


REF	NUMBER	#	EN
			DESCRIPTION
1	541898	1	Pinion
2	800116	1	Retaining Ring
3	541887	1	Washer
4	542724	2	O-Ring
5	542722	1	Ring Gear
6	541899	1	Gear
7	541894	3	Gear
8	203749	3	Bearing
9	542233	1	Planet Carrier
10	T50-3000859	1	Planetary Gear Assembly
11	844265	1	Ball
12	T50-1000313	1	Gear Case
13	T50-100036	1	O-Ring
14	542089	2	Bearing
15	541775	1	Spacer
16	542076	1	Ring
17	541914	1	Spindle Washer
18	833688	1	Ring
19	536592	1	Slip Chuck
20	540842	1	Spring
21	540800	1	Washer
22	503009	1	Ring

# = Quantity

**05**

MODELS  
CCBPW22Q

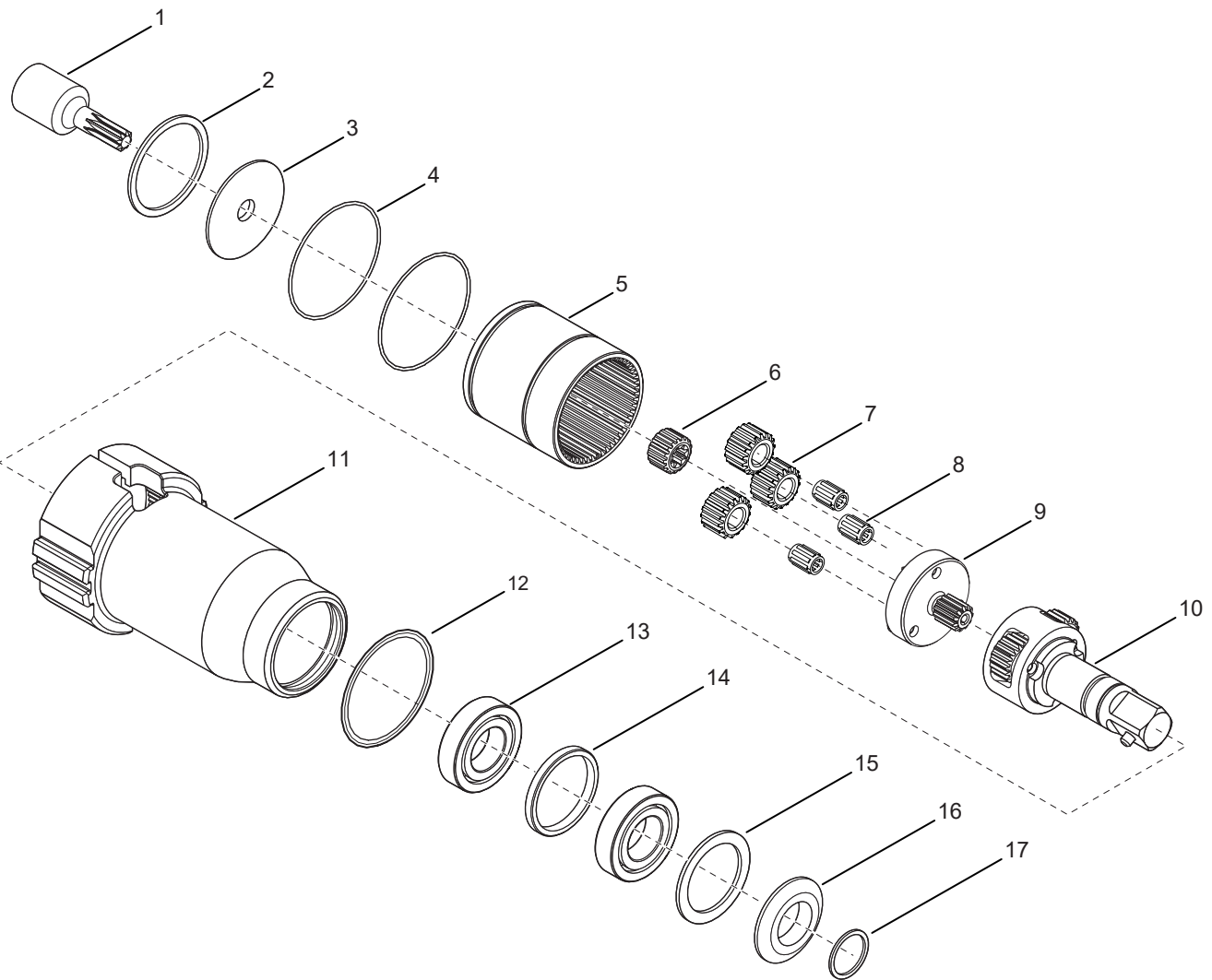


1REF	NUMBER	#	EN
			DESCRIPTION
1	541898	1	Pinion
2	800116	1	Retaining Ring
3	541887	1	Washer
4	542724	2	O-Ring
5	542722	1	Ring Gear
6	541894	3	Gear
7	203749	3	Bearing
8	542233	1	Planet Carrier
9	T50-3000859	1	Planetary Gear Assembly
10	844265	1	Ball
11	T50-1000313	1	Gear Case
12	542089	2	Bearing
13	T50-1000386	1	O-Ring
14	541775	1	Spacer
15	542076	1	Ring
16	541914	1	Spindle Washer
17	833688	1	Ring
18	536592	1	Slip Chuck
19	540842	1	Spring
20	540800	1	Washer
21	503009	1	Ring

# = Quantity

**06**

MODELS  
CCBPW123

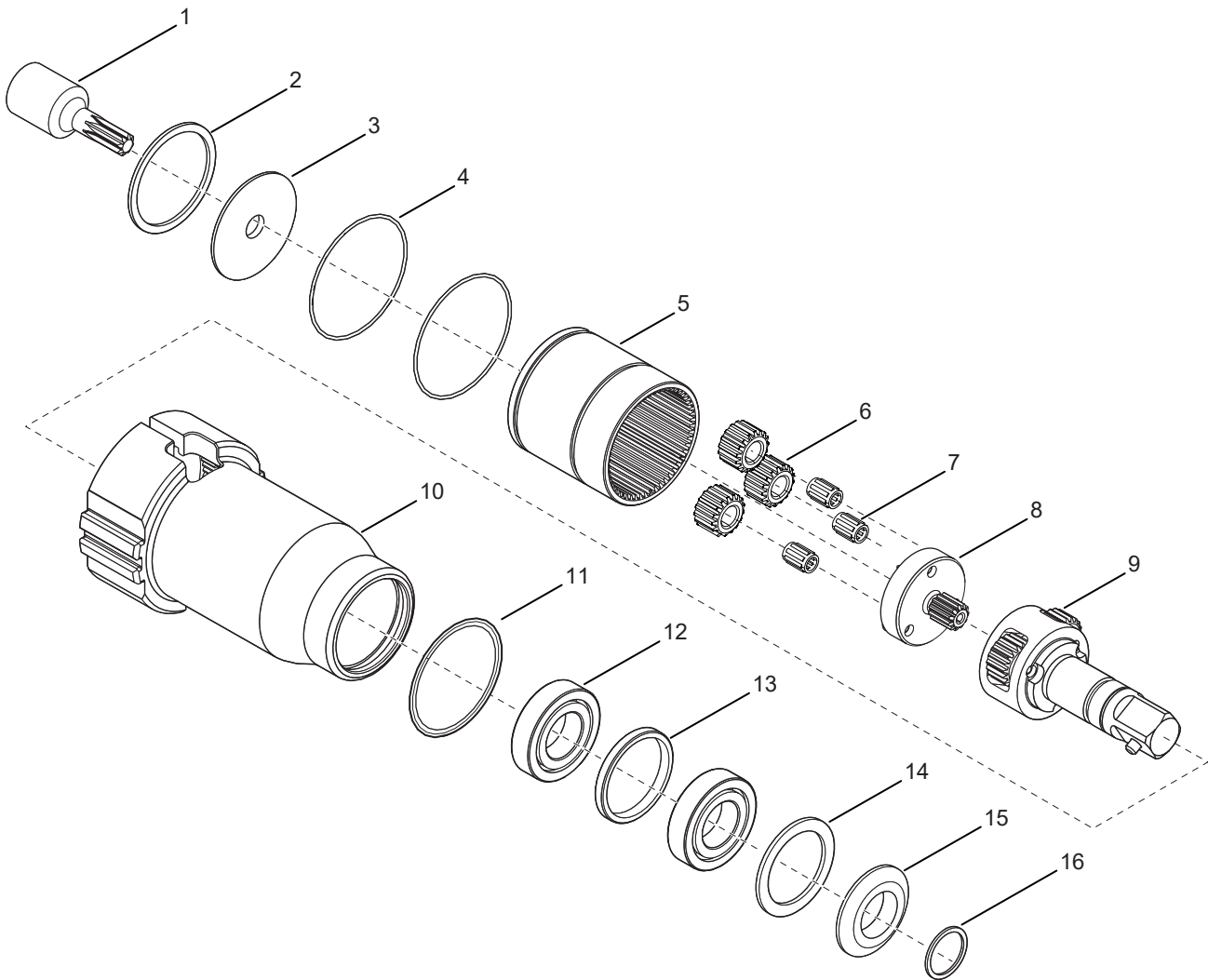


REF	NUMBER	#	EN
			DESCRIPTION
1	541898	1	Pinion
2	800116	1	Retaining Ring
3	541887	1	Washer
4	542724	2	O-Ring
5	542722	1	Ring Gear
6	541899	1	Gear
7	541893	3	Gear
8	203749	1	Bearing
9	542232	1	Planet Carrier
10	T50-3000673	1	Planetary Gear Assembly
11	T50-1000313	1	Gear Case
12	T50-1000386	1	O-Ring
13	542089	2	Bearing
14	541775	1	Spacer
15	542076	1	Ring
16	541919	1	Spindle Washer
17	800216	1	Ring

# = Quantity

**07**

MODELS  
CCBPW223



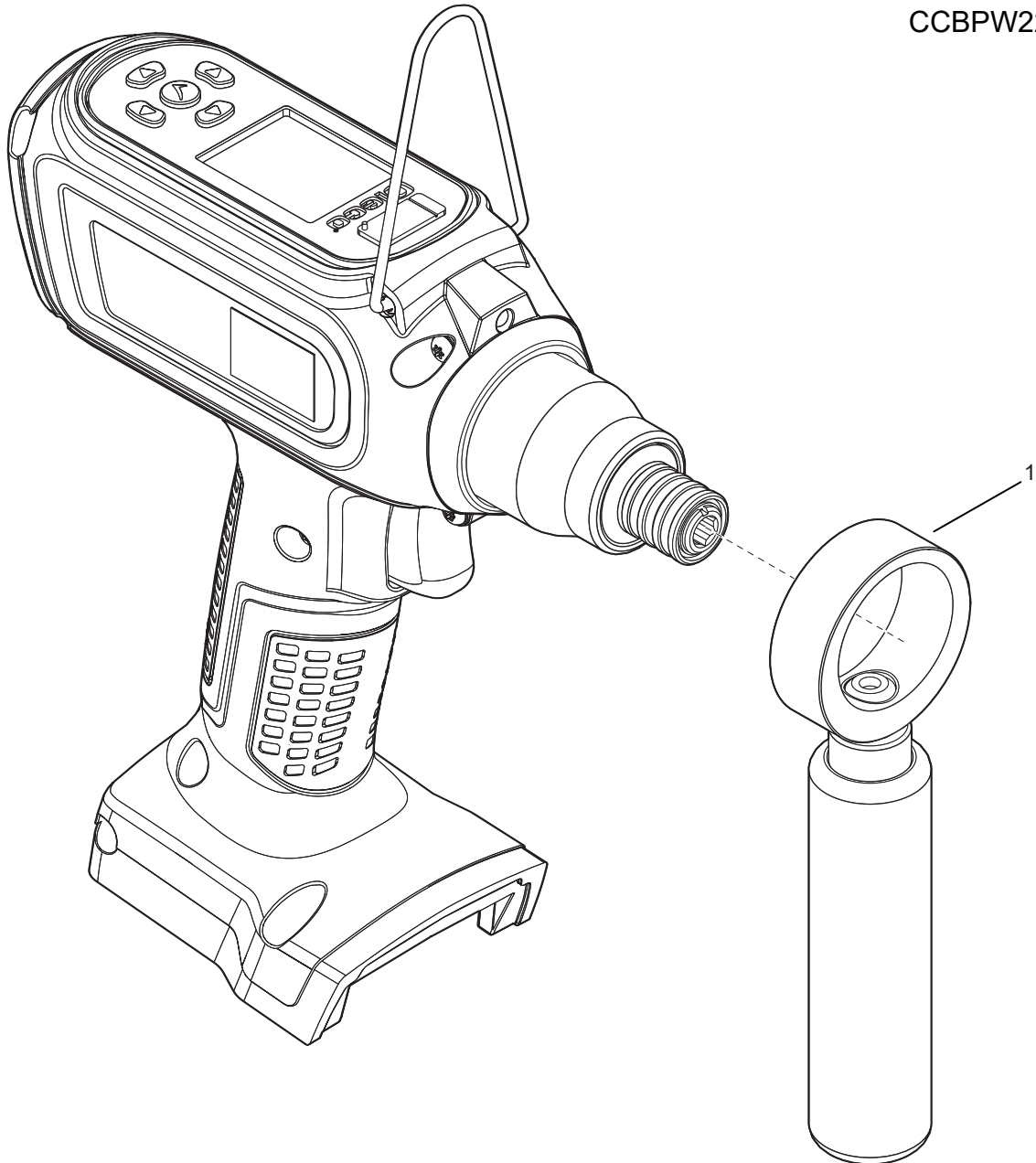


REF	NUMBER	#	EN
			DESCRIPTION
1	541898	1	Pinion
2	800116	1	Retaining Ring
3	541887	1	Washer
4	542724	2	O-Ring
5	542722	1	Ring Gear
6	541893	3	Gear
7	203749	3	Bearing
8	542232	1	Planet Carrier
9	T50-3000673	1	Planetary Gear Assembly
10	T50-1000386	1	O-Ring
11	T50-1000313	1	Gear Case
12	542089	2	Bearing
13	541775	1	Spacer
14	542076	1	Ring
15	541919	1	Spindle Washer
16	800216	1	Ring

# = Quantity

08

MODELS  
CCBPW12Q  
CCBPW22Q  
CCBPW123  
CCBPW223

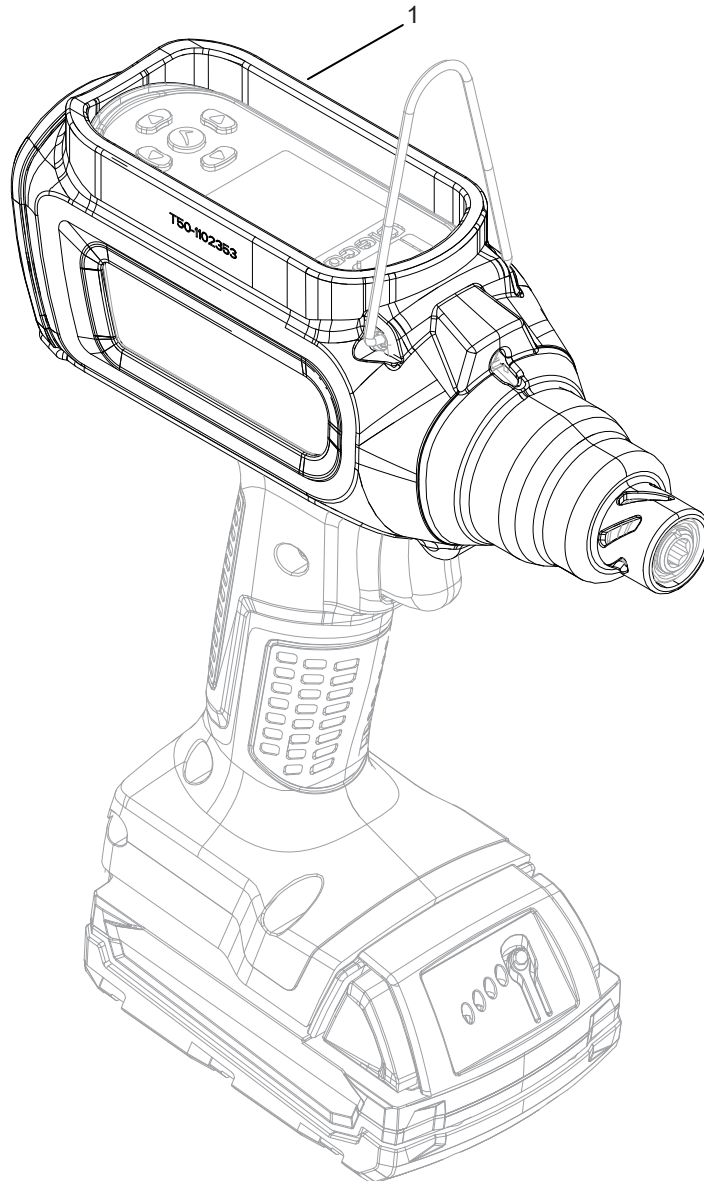


REF	NUMBER	#	EN
			DESCRIPTION
1	301934PT	1	Dead Handle

# = Quantity

09

MODELS  
CCBPW04Q  
CCBPW12Q  
CCBPW22Q  
CCBPW123  
CCBPW223

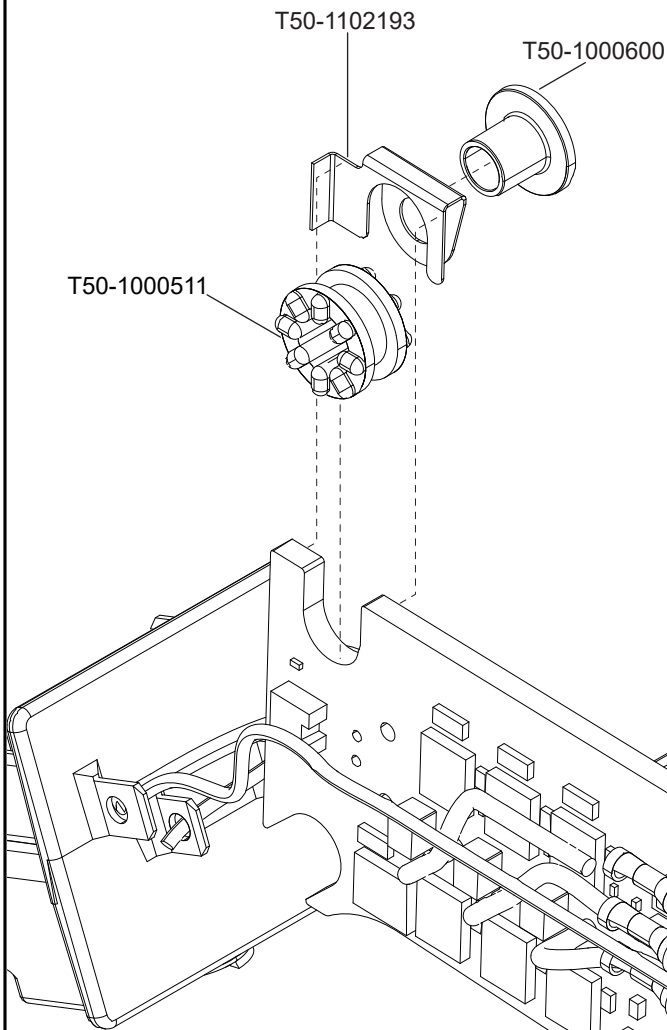
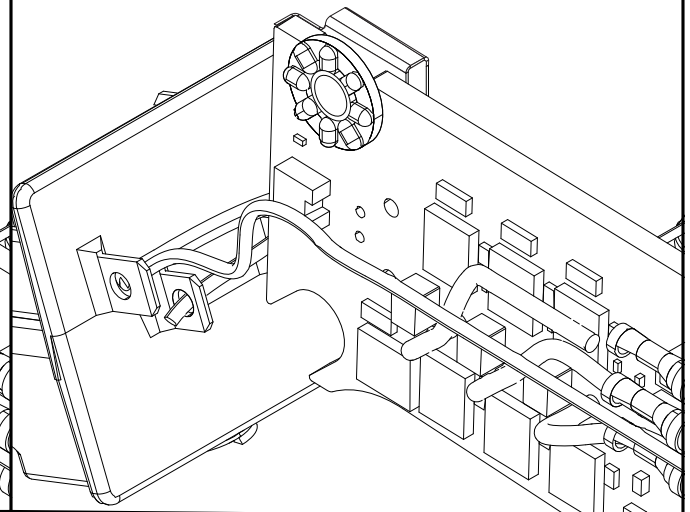


REF	NUMBER	#	EN
			DESCRIPTION
1	See Table 2	1	Pistol Protective Cover

# = Quantity

TABLE 2							
REF	DESCRIPTION	#	CCBPW04Q	CCBPW12Q	CCBPW22Q	CCBPW123	CCBPW223
1	Pistol Protective Cover	1	T50-1102352	T50-1102353	T50-1102353	T50-1102353	T50-1102353

# = Quantity

**10****STEP 1.****STEP 2.**



# POWER TOOLS SALES & SERVICE CENTERS

Please note that all locations may not service all products.

Contact the nearest Cleco® Sales & Service Center for the appropriate facility to handle your service requirements.

 Sales Center

 Service Center

## NORTH AMERICA | SOUTH AMERICA

### Detroit, Michigan

Apex Tool Group  
2630 Superior Court  
Auburn Hills, MI 48236  
Phone: +1 (248) 393-5644  
Fax: +1 (248) 391-6295

### Lexington, South Carolina

Apex Tool Group  
670 Industrial Drive  
Lexington, SC 29072  
Phone: +1 (800) 845-5629  
Phone: +1 (919) 387-0099  
Fax: +1 (803) 358-7681

### Mexico

Apex Tool Group  
Vialidad El Pueblito #103  
Parque Industrial Querétaro  
Querétaro, QRO 76220  
Mexico  
Phone: +52 (442) 211 3800  
Fax: +52 (800) 685 5560

### Brazil

Apex Tool Group  
Av. Liberdade, 4055  
Zona Industrial Iporanga  
Sorocaba, São Paulo  
CEP# 18087-170  
Brazil  
Phone: +55 15 3238 3870  
Fax: +55 15 3238 3938

## EUROPE | MIDDLE EAST | AFRICA

### England

Apex Tool Group GmbH  
C/O Spline Gauges  
Piccadilly, Tamworth  
Staffordshire B78 2ER  
United Kingdom  
Phone: +44 1827 8727 71  
Fax: +44 1827 8741 28

### France

Apex Tool Group SAS  
25 Avenue Maurice Chevalier - ZI  
77330 Ozoir-la-Ferrière  
France  
Phone: +33 1 64 43 22 00  
Fax: +33 1 64 43 17 17

### Germany

Apex Tool Group GmbH  
Industriestraße 1  
73463 Westhausen  
Germany  
Phone: +49 (0) 73 63 81 0  
Fax: +49 (0) 73 63 81 222

### Hungary

Apex Tool Group  
Hungária Kft.  
Platánfa u. 2  
9027 Győr  
Hungary  
Phone: +36 96 66 1383  
Fax: +36 96 66 1135

## ASIA PACIFIC

### Australia

Apex Tool Group  
519 Nurigong Street, Albury  
NSW 2640  
Australia  
Phone: +61 2 6058 0300

### China

Apex Power Tool Trading  
(Shanghai) Co., Ltd.  
2nd Floor, Area C  
177 Bi Bo Road  
Pu Dong New Area, Shanghai  
China 201203 P.R.C.  
Phone: +86 21 60880320  
Fax: +86 21 60880298

### India

Apex Power Tool India  
Private Limited  
Gala No. 1, Plot No. 5  
S. No. 234, 235 & 245  
Indialand Global  
Industrial Park  
Taluka-Mulsi, Phase I  
Hinjawadi, Pune 411057  
Maharashtra, India  
Phone: +91 020 66761111

### Japan

Apex Tool Group Japan  
Korin-Kaikan 5F,  
3-6-23 Shibakoen, Minato-Ku,  
Tokyo 105-0011, JAPAN  
Phone: +81-3-6450-1840  
Fax: +81-3-6450-1841

### Korea

Apex Tool Group Korea  
#1503, Hibrand Living Bldg.,  
215 Yangjae-dong,  
Seocho-gu, Seoul 137-924,  
Korea  
Phone: +82-2-2155-0250  
Fax: +82-2-2155-0252

**Cleco**<sup>®</sup>  
Production Tools

### Apex Tool Group, LLC

Phone: +1 (800) 845-5629  
Phone: +1 (919) 387-0099  
Fax: +1 (803) 358-7681  
www.ClecoTools.com  
www.ClecoTools.de