

**Cleco®**

**Parts Manual**

**SP12-1119**

2025-02 | REV. D

**CellTek™**

**CTBPW**

**Cordless EC Tool**



For additional product information visit our website at <http://www.ClecoTools.com>

Copyright © Apex Tool Group, 2025

No part of this document may be reproduced in any way or in any form, in whole or in part, or in a natural or machine-readable language, or transmitted on electronic, mechanical, optical, or other media, without the express permission of the Apex Tool Group.

### Disclaimer

The Apex Tool Group reserves the right to modify, supplement, or improve this document or the product without prior notice.

### Trademark

Cleco is a registered trademark of Apex Brands, Inc.

### Apex Tool Group

670 Industrial Drive  
 Lexington, SC 29072

### Manufacturer:

Apex Tool Group, LLC  
 670 Industrial Drive  
 Lexington, South Carolina 29072, USA

### Importers:

Apex Tool Group GmbH  
 Industriestraße 1  
 73463 Westhausen, Germany

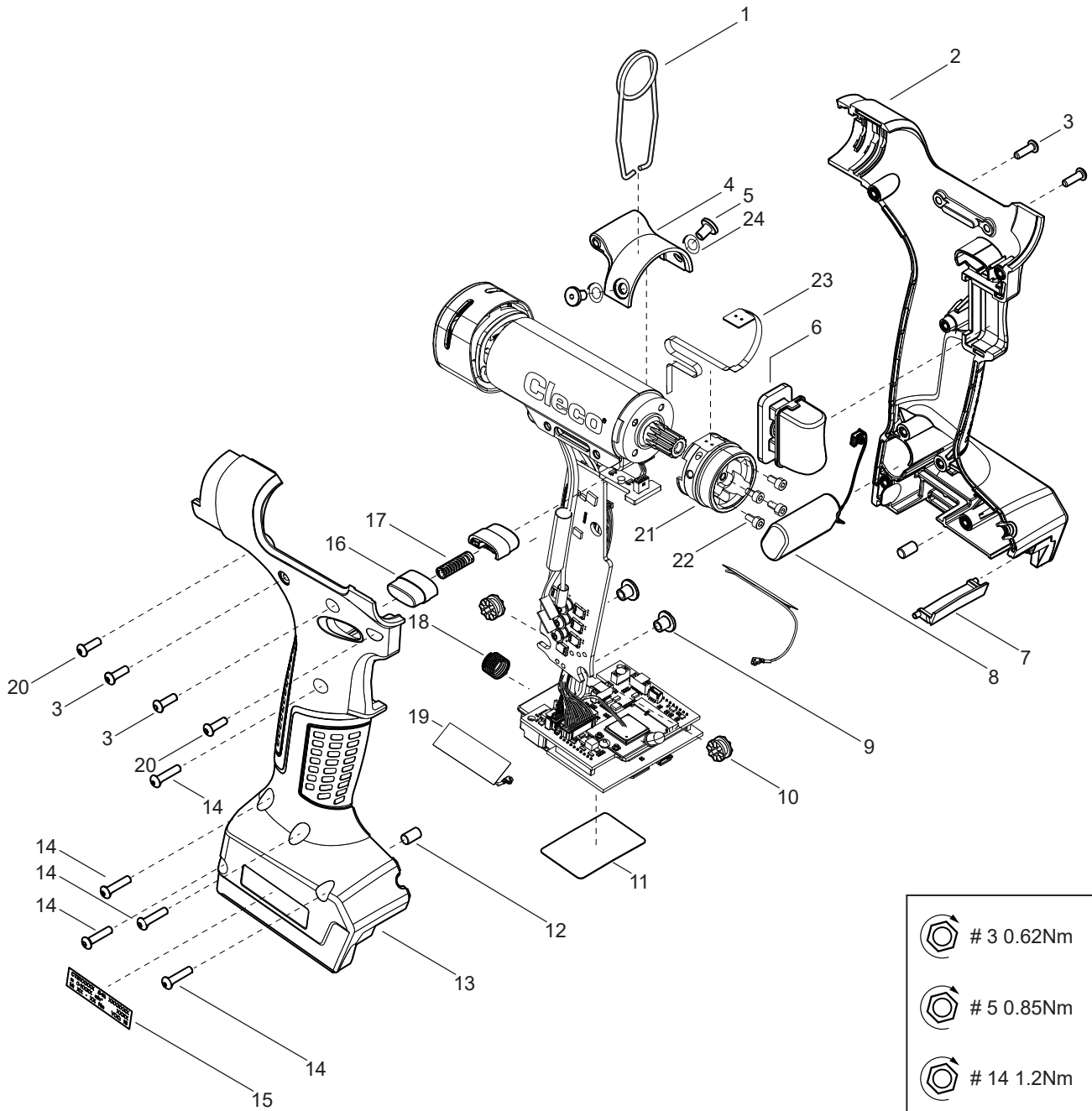
### Further Document for Safety Instructions

No.	Document type
P2543BA	Instruction Manual CTBPW & CTBAW Series CellTek Cordless EC Tool



**01**

MODELS  
CTBPW05Q  
CTBPW10Q  
CTBPW15Q

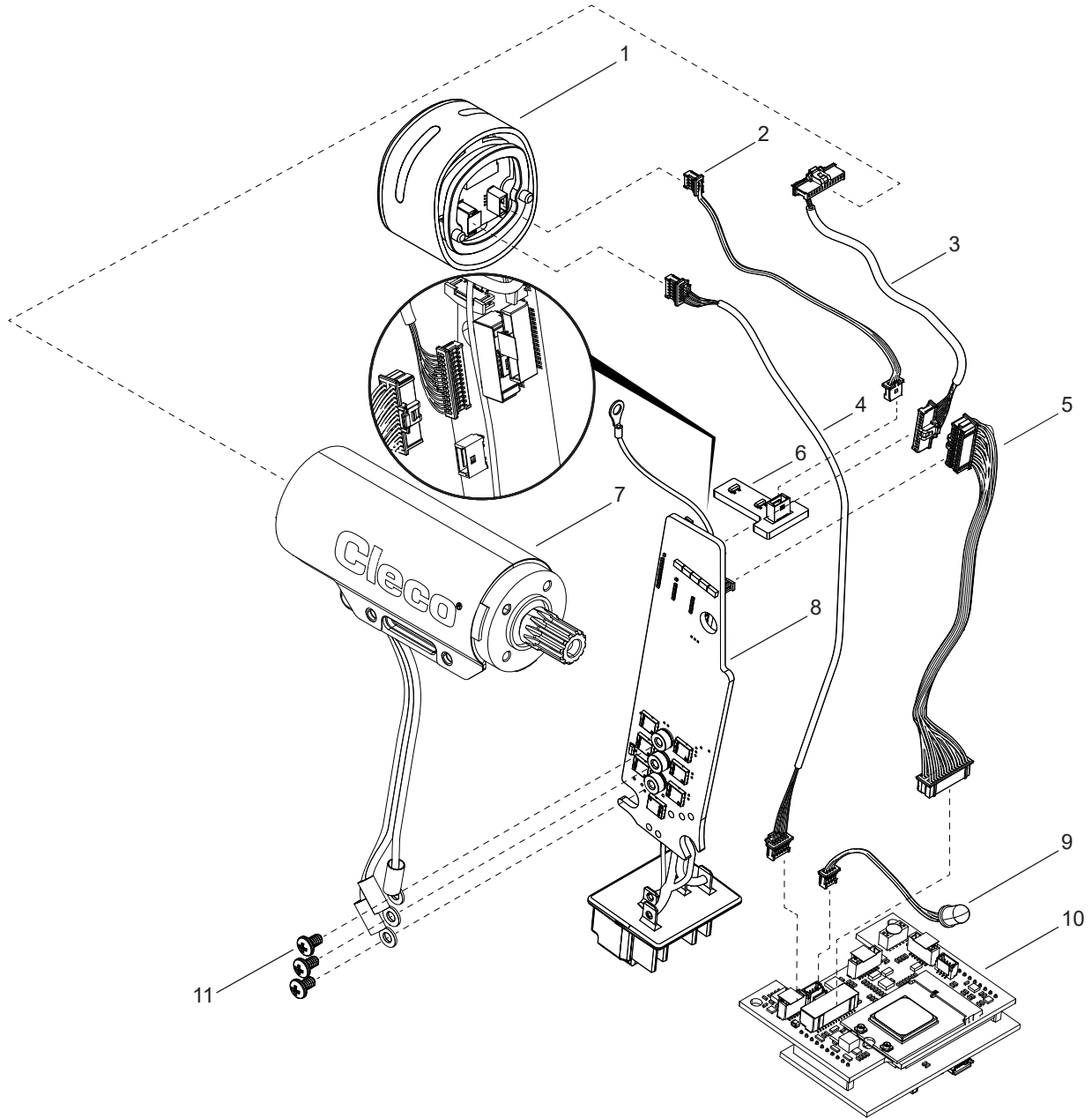


REF	NUMBER	#	EN
			DESCRIPTION
1	931962	1	Suspension Bail
2	T50-3000752	1	Left Hand Handle Housing
3	T50-1000327-4	4	Screw
4	T50-3000458	1	Bail Cover
5	T50-1001028	2	Screw
6	T50-3000358	1	Trigger
7	T50-1000604	1	Door
8	T50-1001087	1	Capacitor
9	T50-1000950	2	Shoulder Spacer
10	T50-1000511	2	Vibration Damper
11	T50-1102278	1	Label
12	T50-1102278	2	Rubber Dowel
13	T50-3000751	1	Right Hand Handle Housing
14	944725PT	5	Screw
15	T50-1000832	1	Label
16	T50-3000139	2	Button
17	T50-1000048-2	1	Spring
18	208809PT	1	Spring
19	T50-3102084	2	Antenna
20	T50-1000933	2	Screw, Self Threading
21	T50-1000559	1	Adapter, Pistol Motor
22	542940-28	4	Screw
23	T55-1000066	1	Flex Cable
24	927383	2	Lock Washer

# = Quantity

**02**

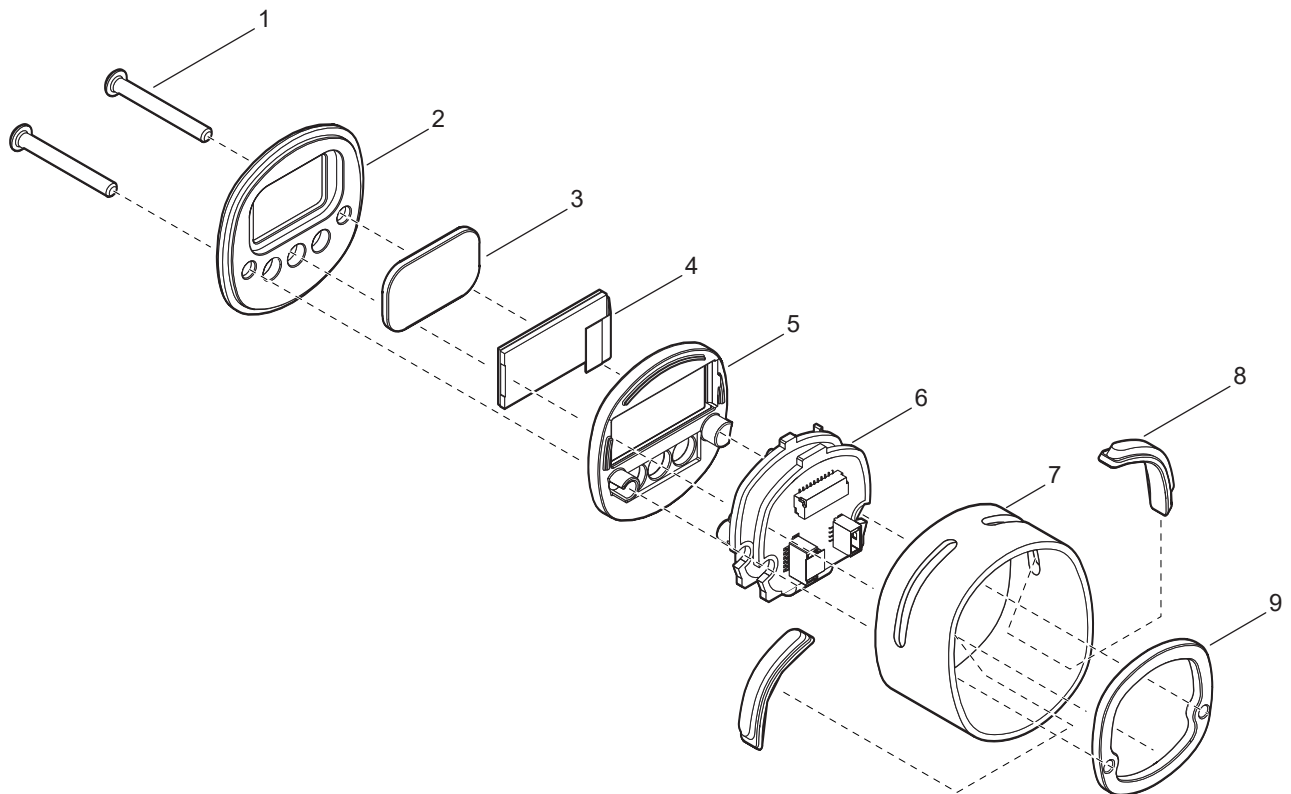
MODELS  
CTBPW05Q  
CTBPW10Q  
CTBPW15Q



 # 11 1.35 Nm

REF	NUMBER	#	EN
			DESCRIPTION
1	T50-3000228	1	Display Module
2	T50-1000834	1	Toggle Cable
3	T50-1000833	1	Encoder Cable
4	T55-1000078	1	Display Cable
5	T55-1000061	1	Servo Cable
6	T50-3000617	1	Toggle Board
7	T50-3000227	1	Motor Assembly
8	T50-1102176	1	Servo Card
9	T55-1000060	1	Work Light
10	T50-3102042	1	Measurement Card
11	T50-1102175	3	Screw

# = Quantity

**03**MODELS  
CTBPW05Q  
CTBPW10Q  
CTBPW15Q # 1 0.14 Nm

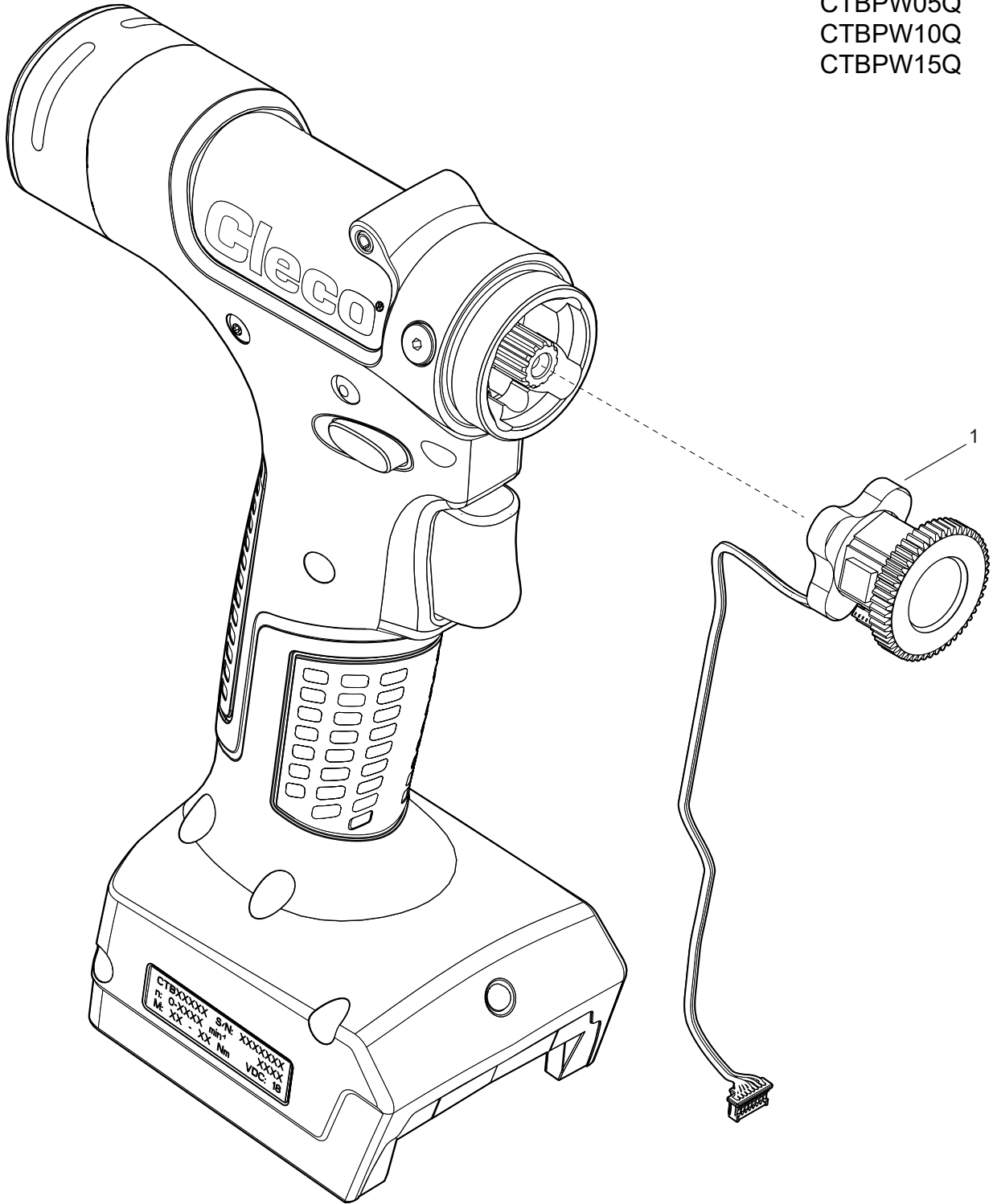


REF	NUMBER	#	EN
			DESCRIPTION
1	T50-1000327-5	2	Screw
2	944724PT	1	Cover Display
3	T50-1000569	1	Protective Display
4	T50-1000566	1	Display
5	T50-1000564	1	Display Holder
6	T50-3000612	1	Pistol Display Board
7	T50-1000568	1	Display Sleeve
8	T50-1000567	2	Light Ring
9	T50-1000581	1	Display Anchor

# = Quantity

04

MODELS  
CTBPW05Q  
CTBPW10Q  
CTBPW15Q

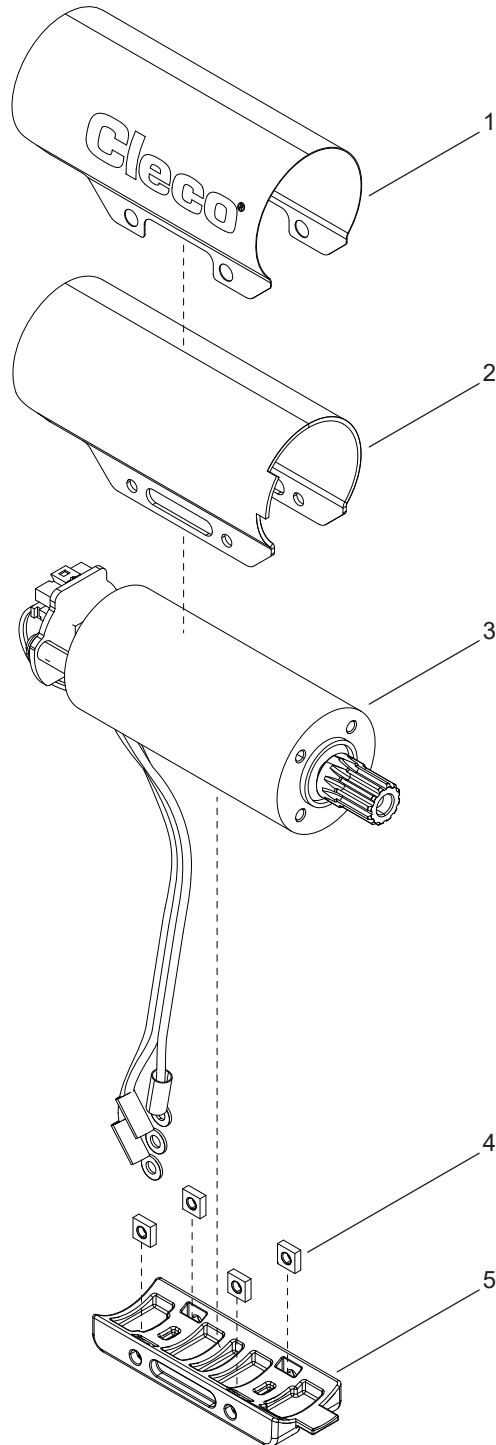


REF	NUMBER	#	EN
			DESCRIPTION
1	See Table 1	1	Transducer

# = Quantity

TABLE 1					
REF	DESCRIPTION	#	CTBPW05Q	CTBPW10Q	CTBPW15Q
1	Transducer	1	T55-3000031-05	T55-3000031-10	T55-3000031-15
Transducer Capacity			05 Nm	10 Nm	15 Nm

# = Quantity

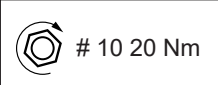
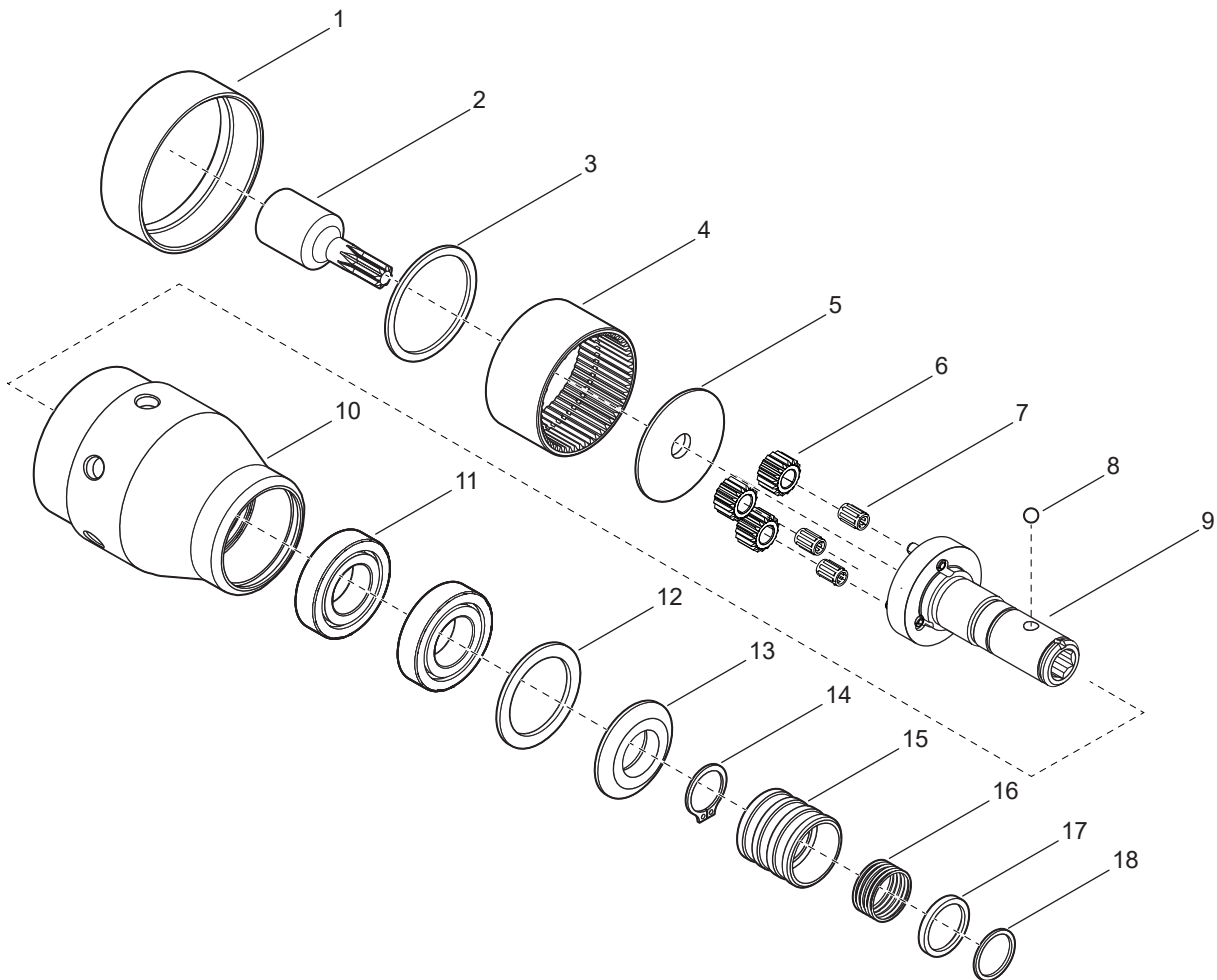
**05**MODELS  
CTBPW05Q  
CTBPW10Q  
CTBPW15Q

REF	NUMBER	#	EN
			DESCRIPTION
1	T50-1000583	1	Decal
2	T50-1000560	1	Motor Strap
3	T50-3000371-1	1	Motor
4	T50-1000612	4	Square Nut
5	T50-1000561	1	Motor Strap Anchor

# = Quantity

06

MODELS  
CTBPW05Q

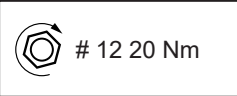
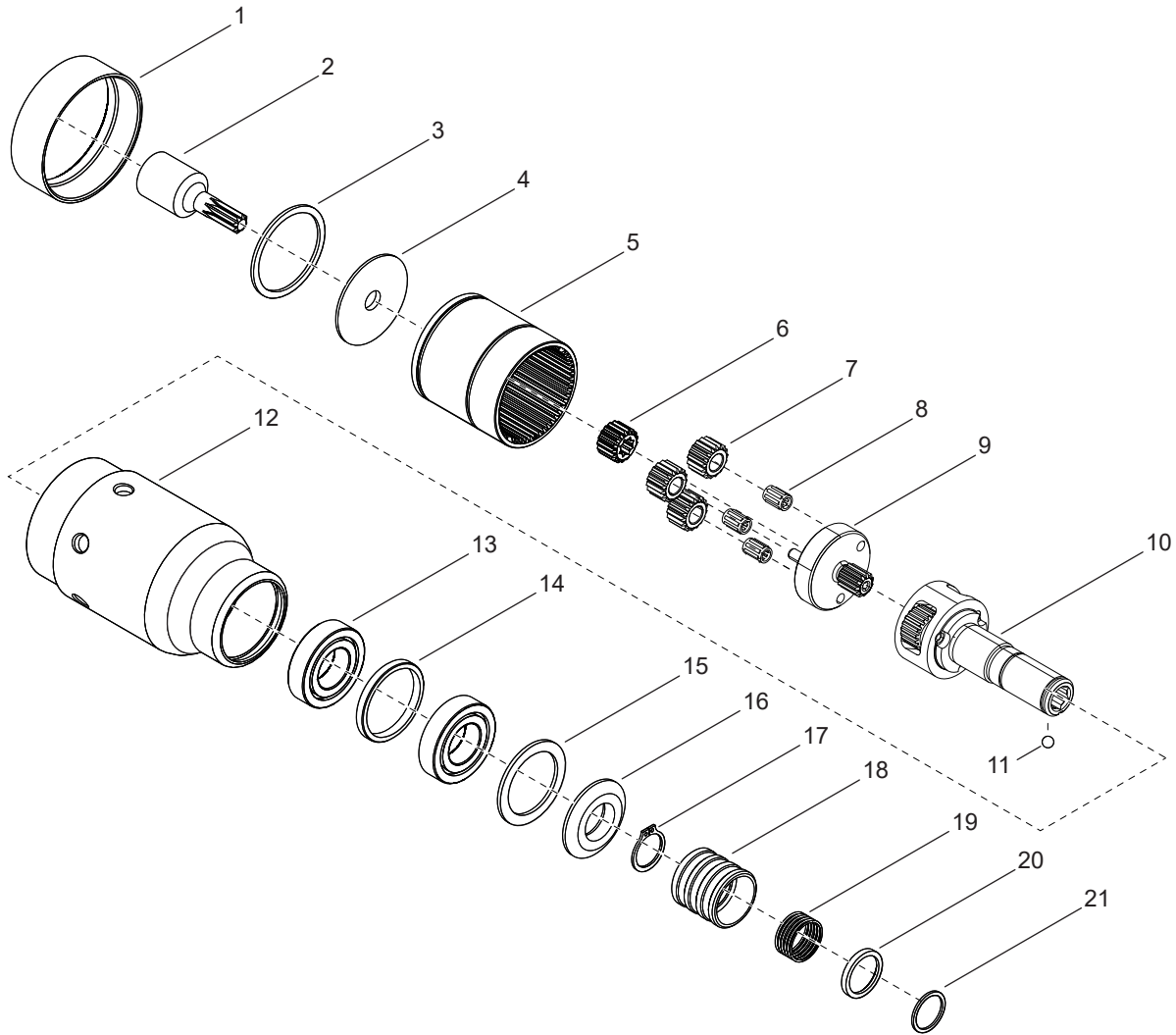


REF	NUMBER	#	EN
			DESCRIPTION
---	<b>T50-3000214</b>	-	<b>Output Assembly</b>
1	T50-1000562	1	Beauty Ring
2	541898	1	Pinion Extension
3	800116	1	Ring
4	542090	1	Ring Gear
5	541887	1	Washer
---	<b>T50-3000669</b>	-	<b>Planetary Gear Assembly (#6-9)</b>
6	541893	3	Idler Gear
7	203749	3	Bearing
8	844265	1	Ball
9	T50-3000669	1	Output Spindle Assembly
10	T50-1000518	1	Gear Case
11	542089	2	Idler Gear
12	542076	1	Ring
13	541914	1	Spindle Washer
14	833688	1	Retaining Ring
15	536592	1	Slip Chuck
16	540842	1	Spring
17	540800	1	Washer
18	503009	1	Ring

# = Quantity

**07**

MODEL  
CTBPW10Q  
CTBPW15Q





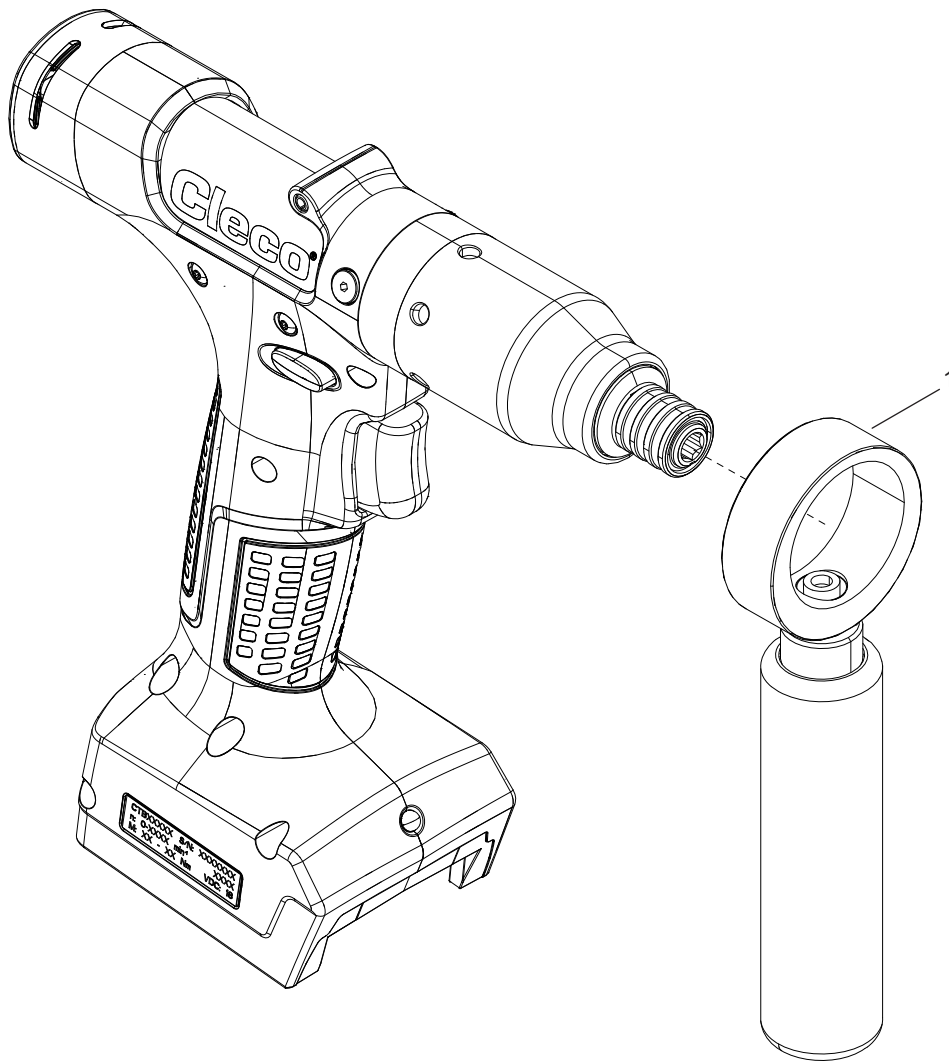
REF	NUMBER	#	EN
			DESCRIPTION
1	T50-1000562	1	Beauty Ring
2	541898	1	Pinion Extension
3	800116	1	Ring
4	541887	1	Washer
5	542722	1	Ring Gear
6	541899	1	Slip on Gear
7	See Table 2	3	Idler Gear
8	See Table 2	3	Bearing
9	See Table 2	3	Planet Carrier
10	See Table 2	1	Output Spindle Assembly
11	844265	1	Ball
12	T50-1000519	1	Gear Case
13	542089	2	Bearing
14	541775	1	Spacer Bearing
15	542076	1	Ring
16	541914	1	Spindle Washer
17	833688	1	Retaining Ring
18	536592	1	Slip Chuck Sleeve
19	540842	1	Spring
20	540800	1	Washer
21	503009	1	Ring

# = Quantity

TABLE 2				
REF	DESCRIPTION	#	CTBPW10Q	CTBPW15Q
---	<b>Output Assembly</b>	-	<b>T50-3000215</b>	<b>T50-3000216</b>
---	<b>Planetary Gear Assembly</b>	<b>1</b>	<b>T50-3000670</b>	<b>T50-3000672</b>
7	Idler Gear	3	541894	541894
8	Bearing	3	203749	203749
9	Planet Carrier	3	542230	542233
10	Planetary Gear Assembly	1	T50-3000671	T50-3000673

# = Quantity

08

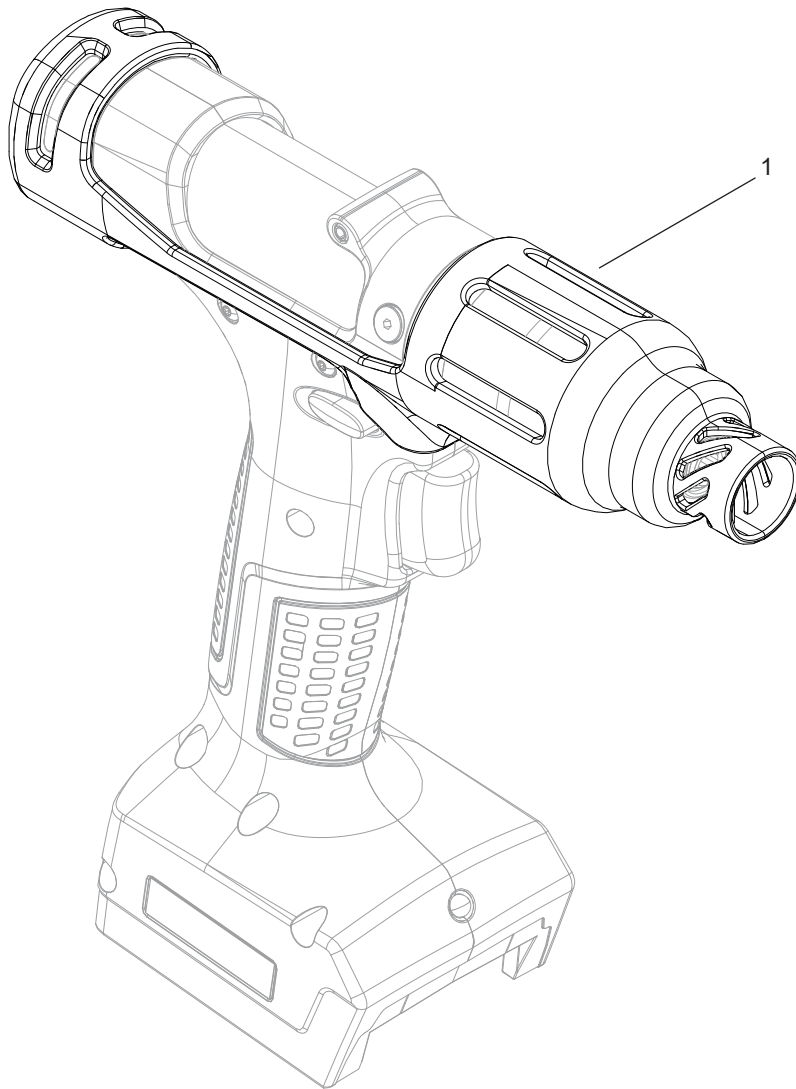
MODELS  
CTBPW15Q

REF	NUMBER	#	EN
			DESCRIPTION
1	861006PT	1	Dead Handle

# = Quantity

09

CELLTEK  
PISTOL  
PROTECTIVE COVER KIT



REF	NUMBER	#	EN
			DESCRIPTION
1	See Table 3	1	Scuff Cover

# = Quantity

TABLE 3					
REF	DESCRIPTION	#	CTBPW05Q	CTBPW10Q	CTBPW15Q
1	Scuff Cover	1	T50-1102725	T50-1102726	T50-1102726

# = Quantity

# POWER TOOLS SALES & SERVICE CENTERS

Please note that all locations may not service all products.

Contact the nearest Cleco® Sales & Service Center for the appropriate facility to handle your service requirements.

 Sales Center

 Service Center

## NORTH AMERICA | SOUTH AMERICA

### Detroit, Michigan

Apex Tool Group  
2630 Superior Court  
Auburn Hills, MI 48236  
Phone: +1 (248) 393-5644  
Fax: +1 (248) 391-6295

### Lexington, South Carolina

Apex Tool Group  
670 Industrial Drive  
Lexington, SC 29072  
Phone: +1 (800) 845-5629  
Phone: +1 (919) 387-0099  
Fax: +1 (803) 358-7681

### Mexico

Apex Tool Group  
Vialidad El Pueblito #103  
Parque Industrial Querétaro  
Querétaro, QRO 76220  
Mexico  
Phone: +52 (442) 211 3800  
Fax: +52 (800) 685 5560

### Brazil

Apex Tool Group  
Av. Liberdade, 4055  
Zona Industrial Iporanga  
Sorocaba, São Paulo  
CEP# 18087-170  
Brazil  
Phone: +55 15 3238 3870  
Fax: +55 15 3238 3938

## EUROPE | MIDDLE EAST | AFRICA

### England

Apex Tool Group GmbH  
C/O Spline Gauges  
Piccadilly, Tamworth  
Staffordshire B78 2ER  
United Kingdom  
Phone: +44 1827 8727 71  
Fax: +44 1827 8741 28

### Germany

Apex Tool Group GmbH  
Industriestraße 1  
73463 Westhausen  
Germany  
Phone: +49 (0) 73 63 81 0  
Fax: +49 (0) 73 63 81 222

### Hungary

Apex Tool Group  
Hungária Kft.  
Platánfa u. 2  
9027 Győr  
Hungary  
Phone: +36 96 66 1383  
Fax: +36 96 66 1135

## ASIA PACIFIC

### Australia

Apex Tool Group  
519 Nurigong Street, Albury  
NSW 2640  
Australia  
Phone: +61 2 6058 0300

### China

Apex Power Tool Trading  
(Shanghai) Co., Ltd.  
2nd Floor, Area C  
177 Bi Bo Road  
Pu Dong New Area, Shanghai  
China 201203 P.R.C.  
Phone: +86 21 60880320  
Fax: +86 21 60880298

### India

Apex Power Tool India  
Private Limited  
Gala No. 1, Plot No. 5  
S. No. 234, 235 & 245  
Indialand Global  
Industrial Park  
Taluka-Mulsi, Phase I  
Hinjawadi, Pune 411057  
Maharashtra, India  
Phone: +91 020 66761111

### Japan

Apex Tool Group Japan  
Korin-Kaikan 5F,  
3-6-23 Shibakoen, Minato-Ku,  
Tokyo 105-0011, JAPAN  
Phone: +81-3-6450-1840  
Fax: +81-3-6450-1841

### Korea

Apex Tool Group Korea  
#1503, Hibrand Living Bldg.,  
215 Yangjae-dong,  
Seocho-gu, Seoul 137-924,  
Korea  
Phone: +82-2-2155-0250  
Fax: +82-2-2155-0252

**Cleco**<sup>®</sup>  
Production Tools

### Apex Tool Group, LLC

Phone: +1 (800) 845-5629  
Phone: +1 (919) 387-0099  
Fax: +1 (803) 358-7681  
www.ClecoTools.com  
www.ClecoTools.de