

Cleco®

Parts Manual

SP12-1111

2025-01 | REV.D

NeoTek™

50 EAN Series
Corded Electric Assembly Tool



For additional product information visit our website at <http://www.ClecoTools.com>

Copyright © Apex Tool Group, 2025

No part of this document may be reproduced in any way or in any form, in whole or in part, or in a natural or machine-readable language, or transmitted on electronic, mechanical, optical, or other media, without the express permission of the Apex Tool Group.

Disclaimer

The Apex Tool Group reserves the right to modify, supplement, or improve this document or the product without prior notice.

Trademark

Cleco is a registered trademark of Apex Brands, Inc.

Apex Tool Group

670 Industrial Drive
Lexington, SC 29072

Manufacturer:

Apex Tool Group GmbH
Industriestraße 1
73463 Westhausen, Germany

Importers:

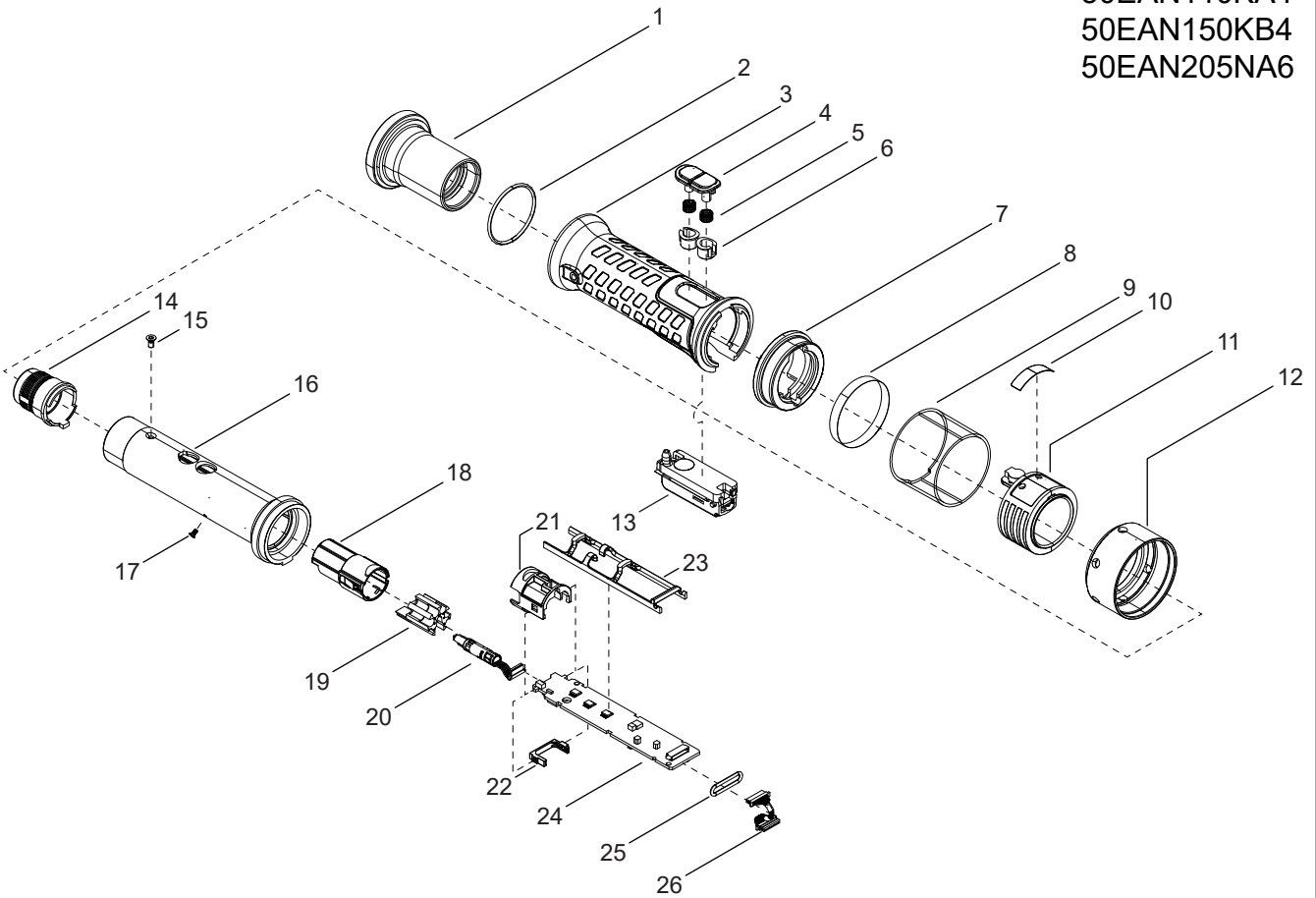
Apex Tool Group, LLC
670 Industrial Drive
Lexington, South Carolina 29072, USA





Further Document for Safety Instructions

No.	Document type
TM12-1109	Instruction Manual 30 & 50 & 70 Series NeoTek

01

MODELS
 50EAN30FA3
 50EAN39GA3
 50EAN59HA3
 50EAN80JA4
 50EAN110KA4
 50EAN150KB4
 50EAN205NA6



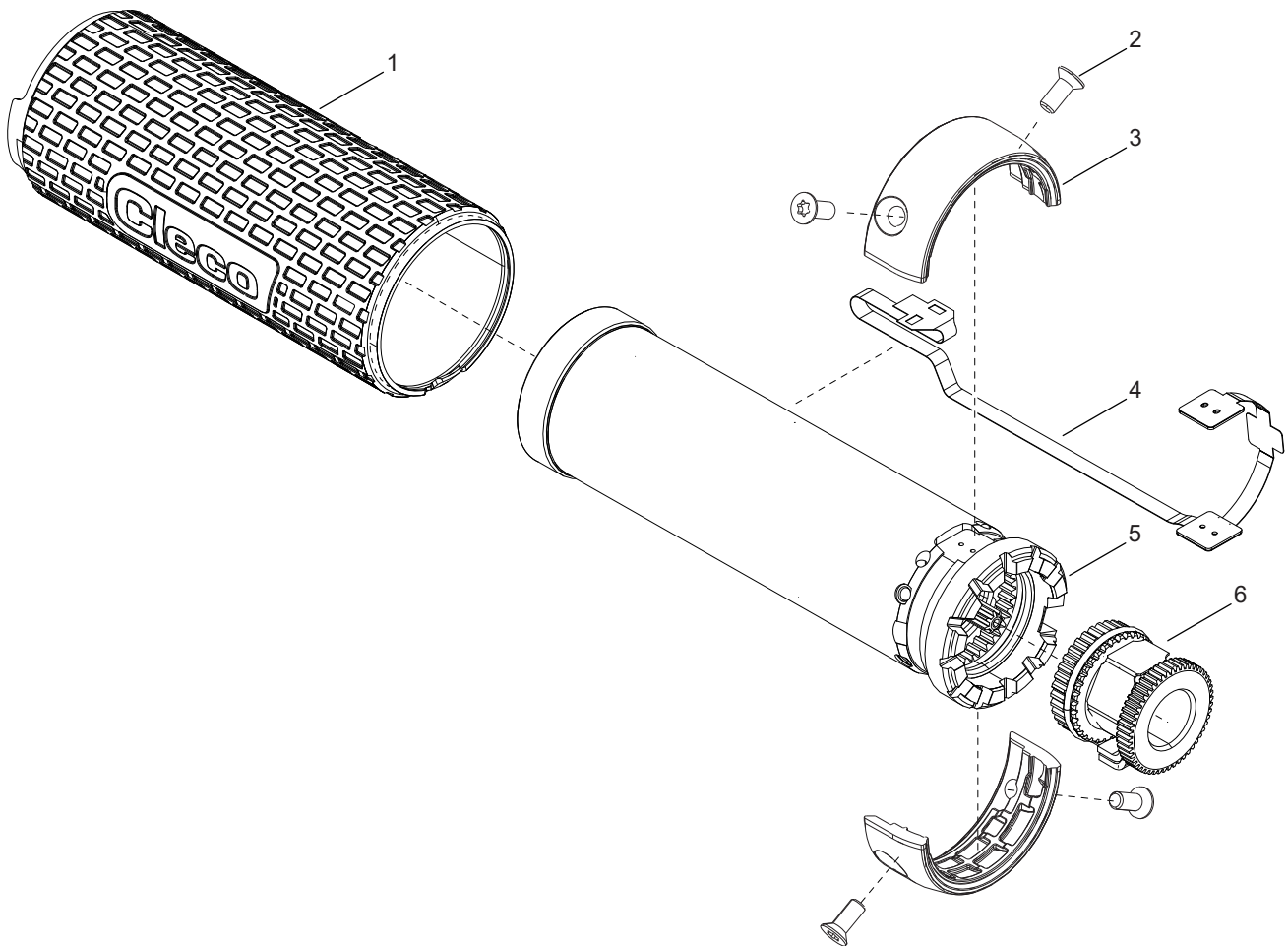
-  #1 37 Nm
-  #12 50.5 Nm
-  #17 0.42 Nm
-  #15 0.9 Nm

REF	NUMBER	#	EN
			DESCRIPTION
1	208746PT	1	Handle Nut
2	22598	1	O Ring
3	208532PT	1	Handle Grip
4	302085PT	2	Button
5	208002PT	2	Spring
6	207963PT	2	Button Guide
7	207964PT	1	Label Ring
8	9447288PT	1	Label
9	207925PT	1	Protective Ring
10	207967PT	1	Label
11	207905PT	1	Light Ring Assembly
12	T50-1102567	1	Handle Nut
13	302086PT	1	Start Switch Assembly
14	961559PT	1	Housing Connector
15	207921PT	1	Screw
16	207903PT	1	Inner Handle
17	207949PT	1	Screw
18	961558PT	1	Connector Body
19	961692PT	1	Contact Carrier
20	961557PT	1	TIM Cable
21	961564PT	1	Circuit Board Holder
22	961575PT	1	Rubber Grommet
23	T50-1000391	1	Wire Guide
24	961668PT	1	TIM Board
25	60371PT	1	O Ring
26	T55-1000046	1	Encoder Cable

= Quantity

02

MODELS
50EAN30FA3
50EAN39GA3
50EAN59HA3
50EAN80JA4
50EAN110KA4
50EAN150KB4
50EAN205NA6

 #3 1.4 Nm

REF	NUMBER	#	EN
			DESCRIPTION
1	961556PT	1	Flex Cable
2	T50-1102557	1	Motor Cover
3	T50-1102792	4	Screw
4	See Table 1	1	Motor Assembly (Includes 1)
5	See Table 1	1	Transducer
6	See Table 1	1	Accessory Cover

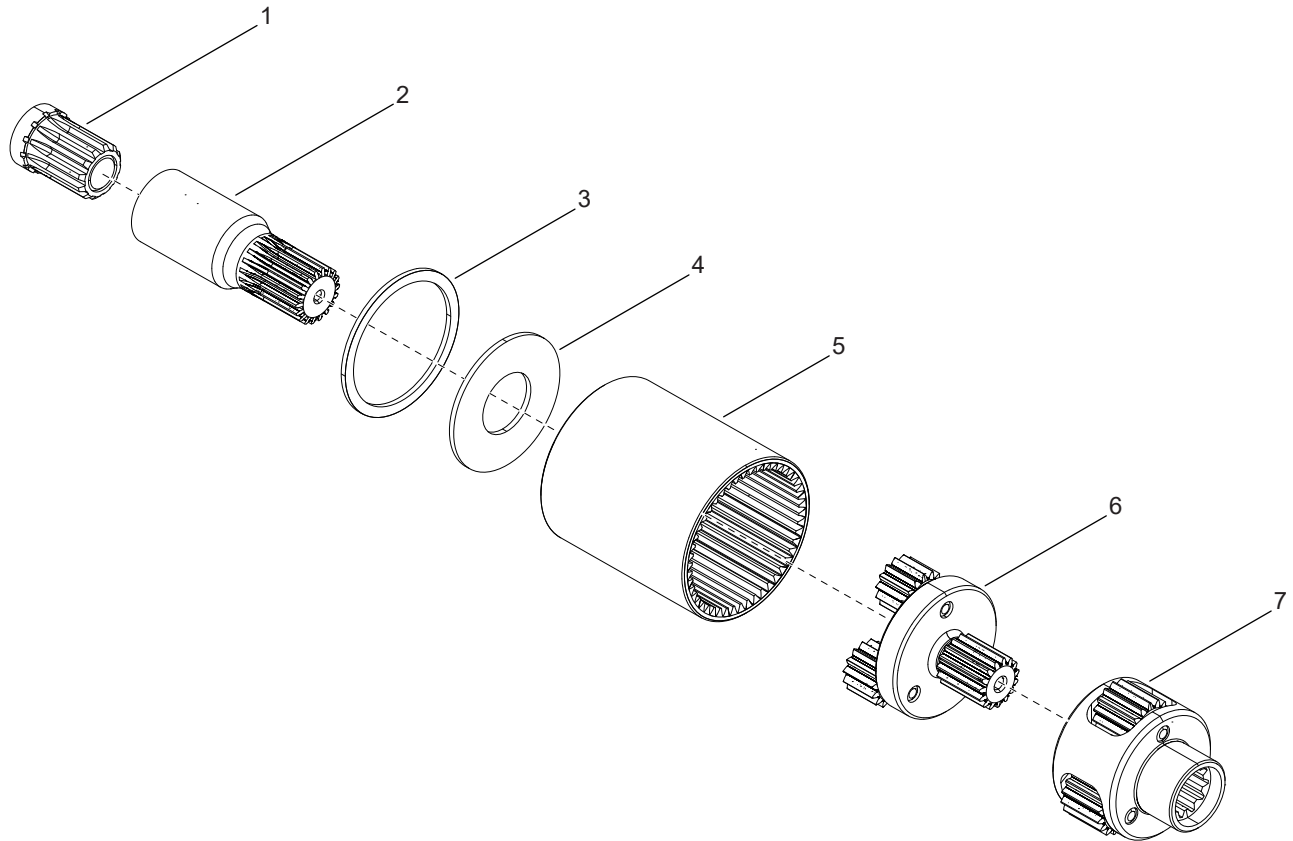
= Quantity

TABLE 1							
REF	DESCRIPTION	#	50EAN30FA3	50EAN39GA3	50EAN59HA3	50EAN80JA4	50EAN110KA4
4	Motor Assembly	1	T50-3102169	T50-3000622	T50-3000622	T50-3000622	T50-3000622
5	Transducer	1	961603PT-026	961604PT-027	961604PT-041	961604PT-049	961605PT-082
6	Accessory Cover	2	T50-1102275	T50-1102568	T50-1102568	T50-1102568	T50-1102568

= Quantity

TABLE 1 CONTINUED				
REF	DESCRIPTION	#	50EAN150KB4	50EAN205NA6
4	Motor Assembly	1	T50-3000622	T50-3000622
5	Transducer	1	961606PT-122	961606PT-122
6	Accessory Cover	2	T50-1102568	T50-1102568

= Quantity

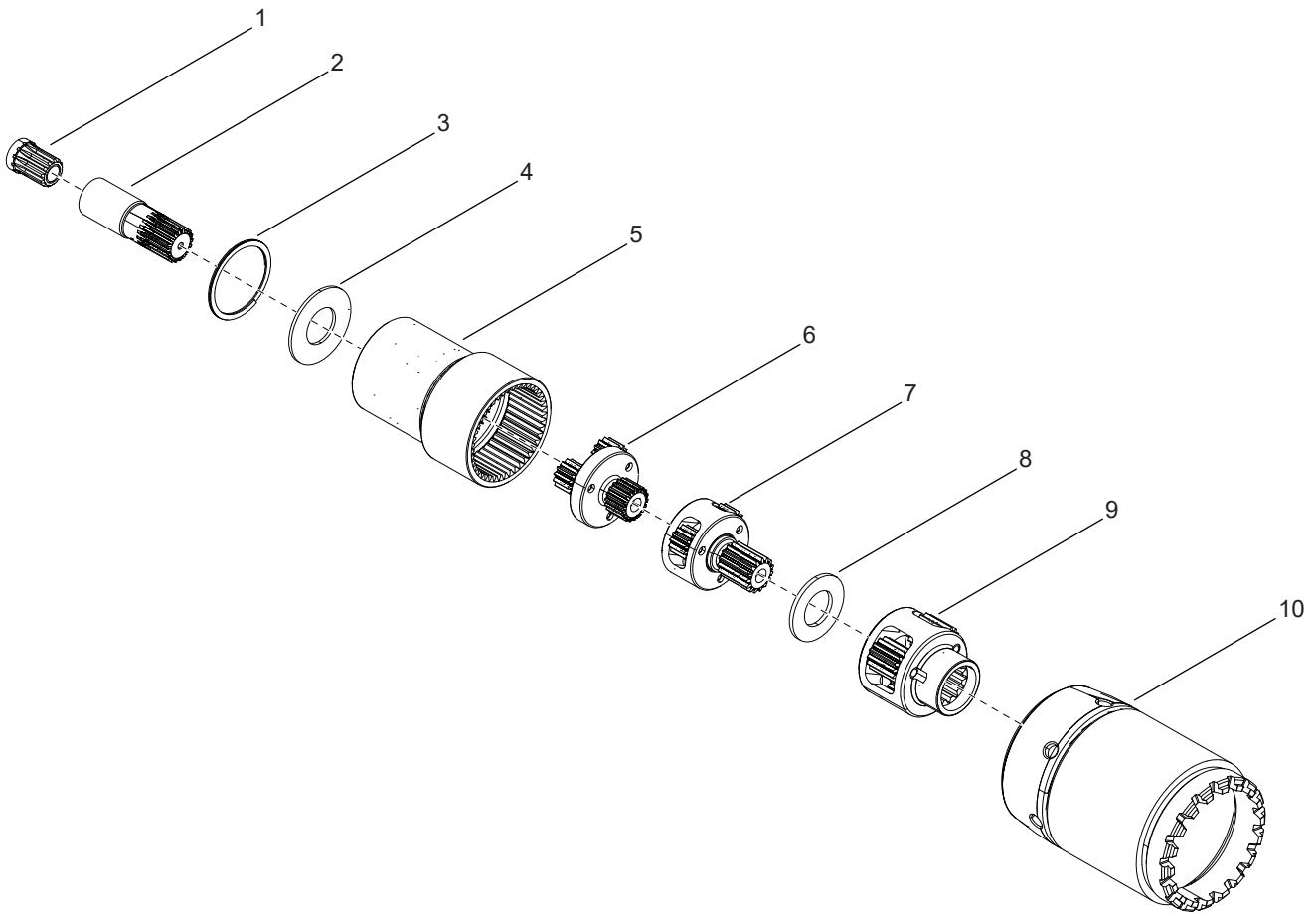
03MODELS
50EAN30FA3
50EAN39GA3
50EAN59HA3
50EAN80JA4

REF	NUMBER	#	EN
			DESCRIPTION
1	541044	1	Pinion Adapter
2	See Table 2	1	Pinion Exstension
3	See Table 2	1	Retaining Ring
4	See Table 2	1	Washer
5	See Table 2	1	Ring Gear
6	See Table 2	1	Planetary Gear Assembly
7	See Table 2	1	Planetary Gear Assembly

= Quantity

TABLE 2						
REF	DESCRIPTION	#	50EAN30FA3	50EAN39GA3	50EAN59HA3	50EAN80JA4
2	Pinion Exstension	1	208118PT	208549PT	208228PT	208228PT
3	Retaining Ring	1	14-11	1019500	1019500	1019500
4	Washer	1	208129PT	208552PT	208231PT	208231PT
5	Ring Gear	1	208202PT	208227PT	208227PT	208227PT
6	Planetary Gear Assembly	1	T50-3000592	T50-3000663	T50-3000594	T50-3000653
7	Planetary Gear Assembly	1	T50-3000593	T50-3000661	T50-3000661	T50-3000654

= Quantity

04MODELS
50EAN110KA4
50EAN150KB4
50EAN205NA6

REF	NUMBER	#	EN
			DESCRIPTION
1	541044	1	Pinion Adapter
2	See Table 3	1	Pinion Exstension
3	869504	1	Retaining Ring
4	208190PT	1	Washer
5	See Table 3	1	Ring Gear
6	See Table 3	1	Planetary Gear Assembly
7	See Table 3	1	Planetary Gear Assembly
8	See Table 3	1	Washer
9	See Table 3	1	Planetary Gear Assembly
10	See Table 3	1	Gear Case Housing

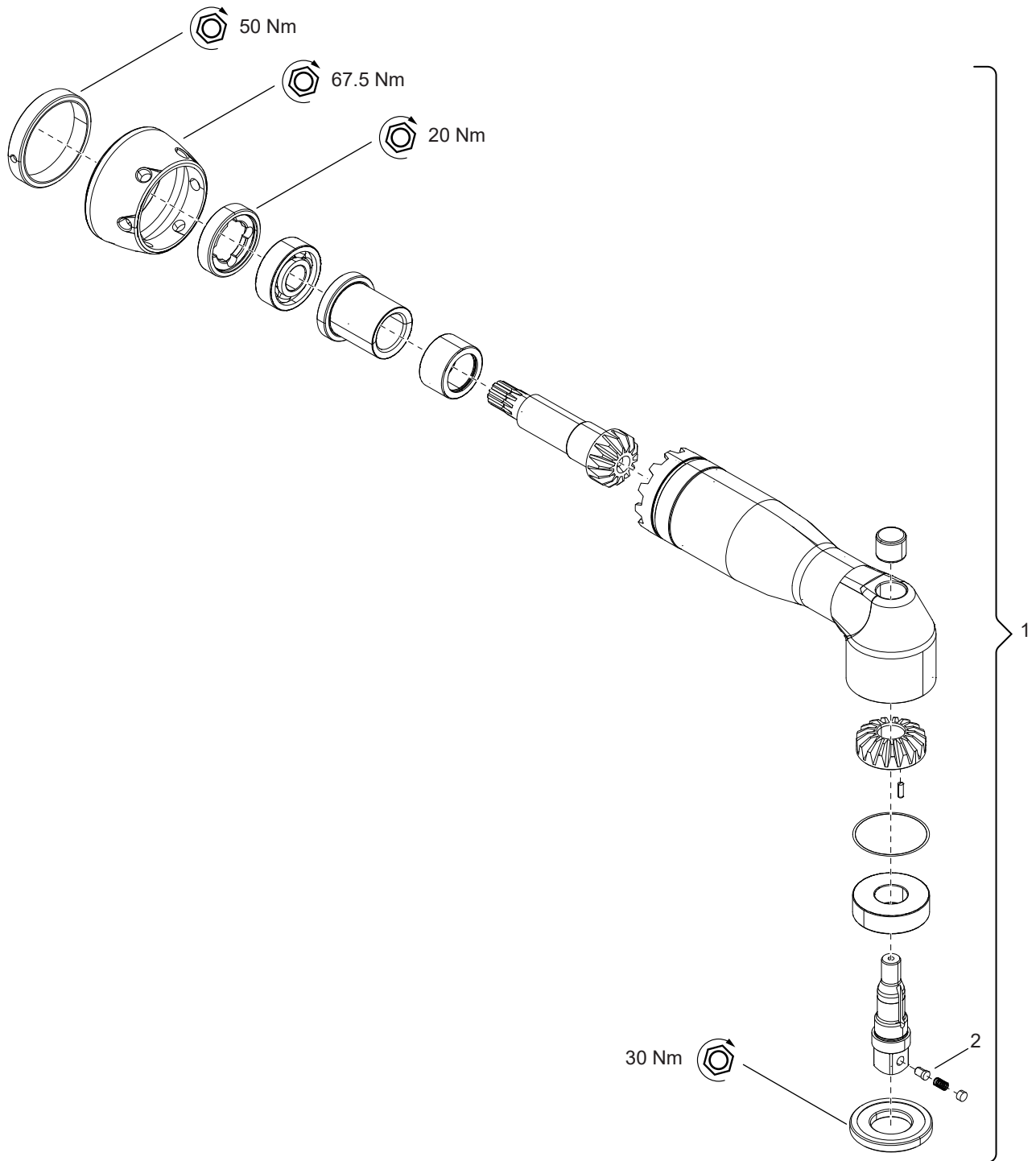
= Quantity

TABLE 3					
REF	DESCRIPTION	#	50EAN110KA4	50EAN150KB4	50EAN205NA6
2	Pinion Exstension	1	208460PT	208189PT	208189PT
5	Ring Gear	1	208459PT	208188PT	208188PT
6	Planetary Gear Assembly	1	T50-3000599	T50-3000603	T50-3000603
7	Planetary Gear Assembly	1	T50-3000600	T50-3000604	T50-3000604
8	Washer	2	502977	202262	202262
9	Planetary Gear Assembly	1	T50-3000700	T50-3000605	T50-3000605
10	Gear Case Housing	1	T50-3000090	T50-3000091	T50-3000091

= Quantity

05

MODELS
50EAN30FA3

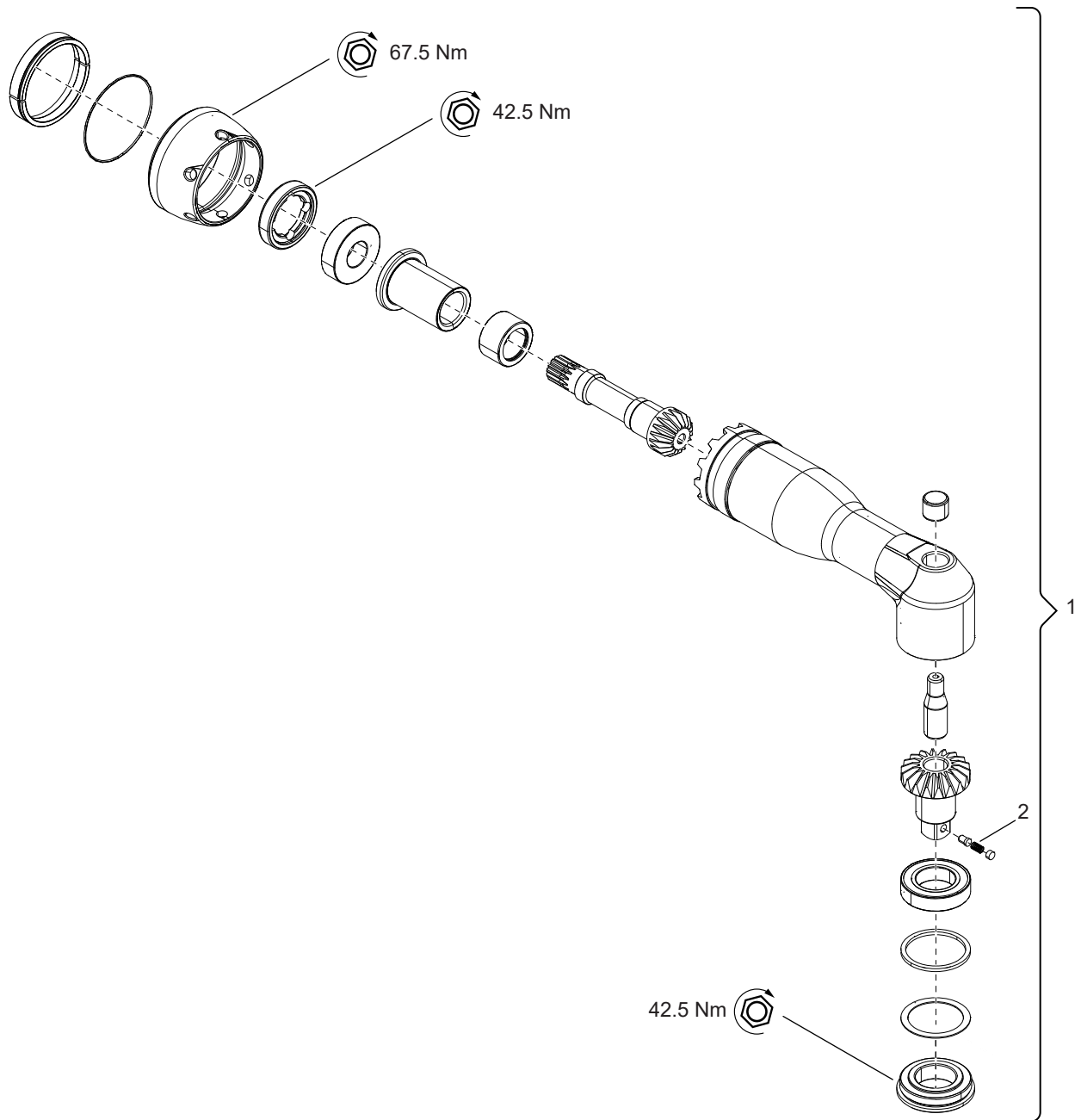


REF	NUMBER	#	EN
			DESCRIPTION
1	302172PT	1	Right Angle Output
2	T50-3102217	1	3/8" Pin Retainer Kit

= Quantity

06

MODELS
50EAN39GA3

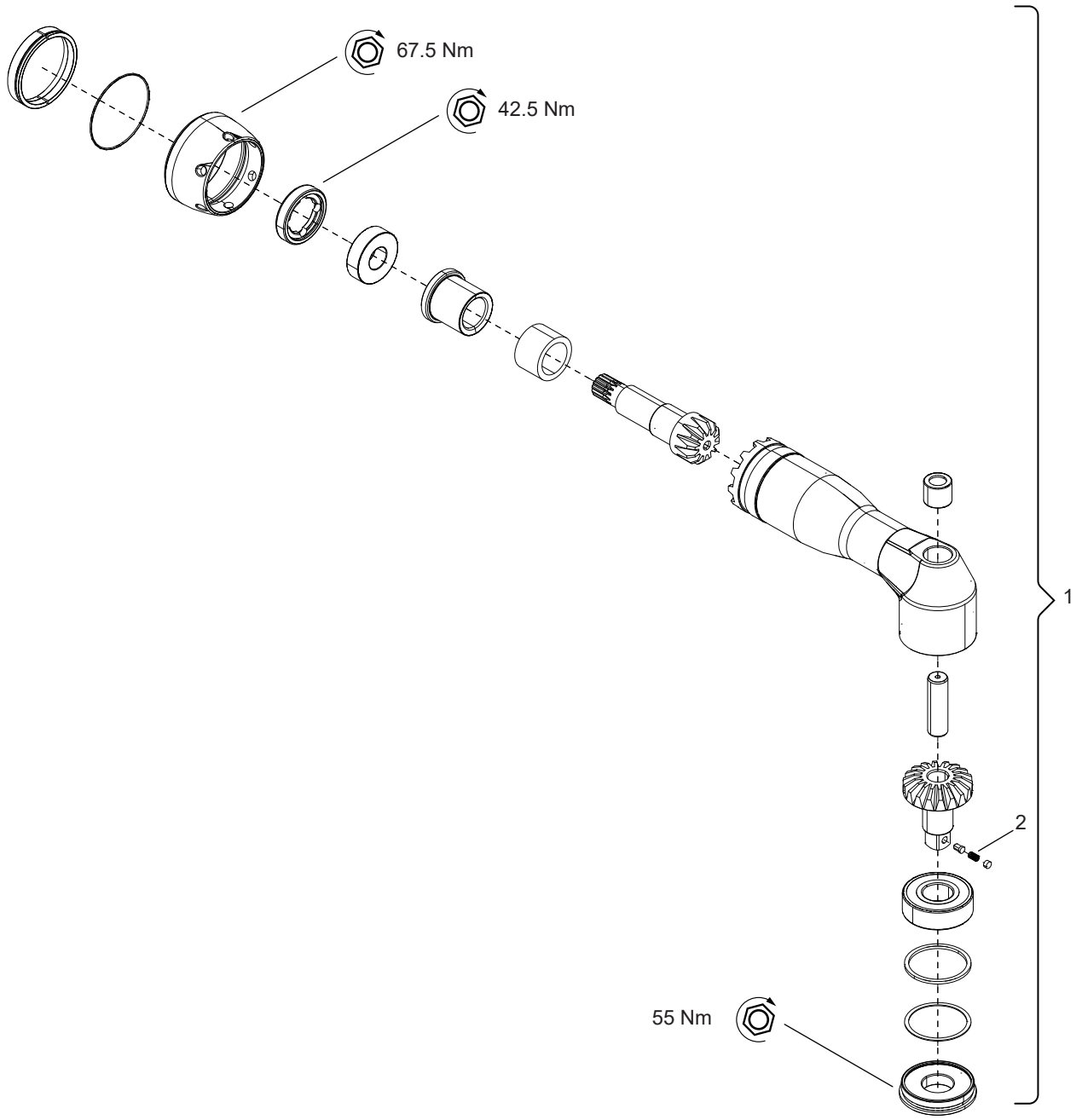


REF	NUMBER	#	EN
			DESCRIPTION
1	302190PT	1	Right Angle Output
2	T50-3102217	1	3/8" Pin Retainer Kit

= Quantity

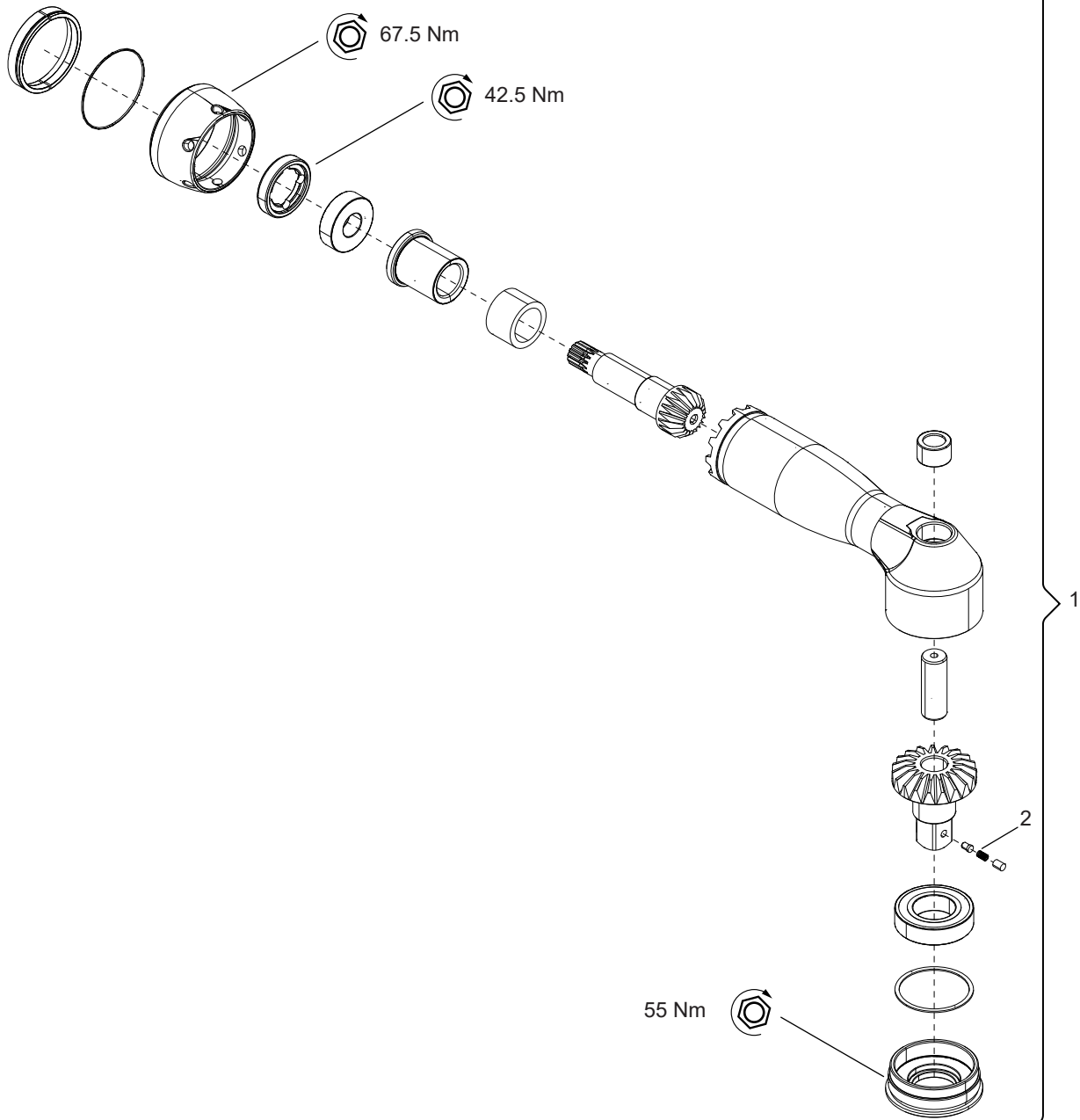
07

MODELS
50EAN59HA3



REF	NUMBER	#	EN
			DESCRIPTION
1	302173PT	1	Right Angle Output
2	T50-3102217	1	3/8" Pin Retainer Kit

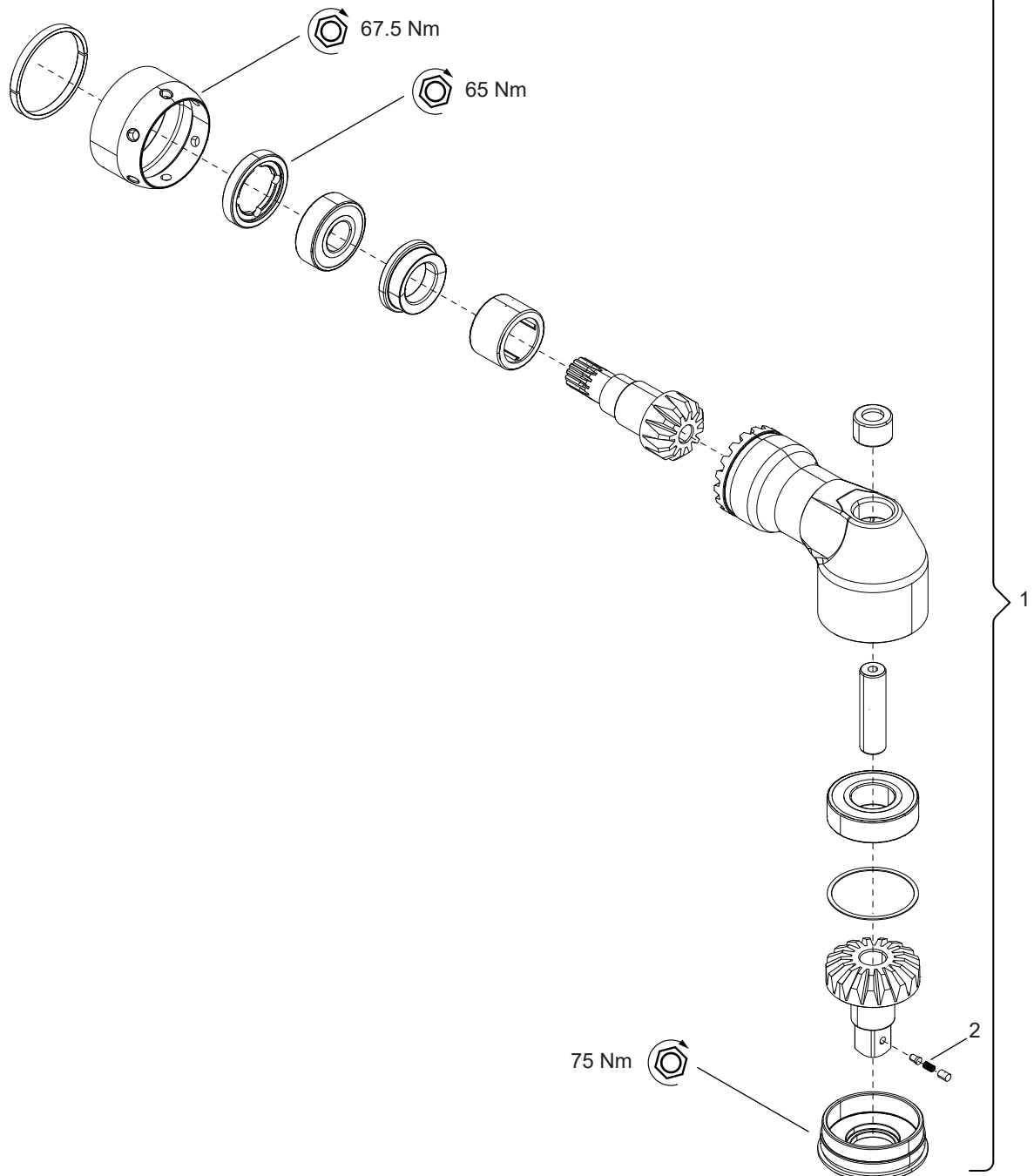
= Quantity

08MODELS
50EAN80JA4

REF	NUMBER	#	EN
			DESCRIPTION
1	302175PT	1	Right Angle Output
2	T50-3102218	1	1/2" Pin Retainer Kit

= Quantity

09

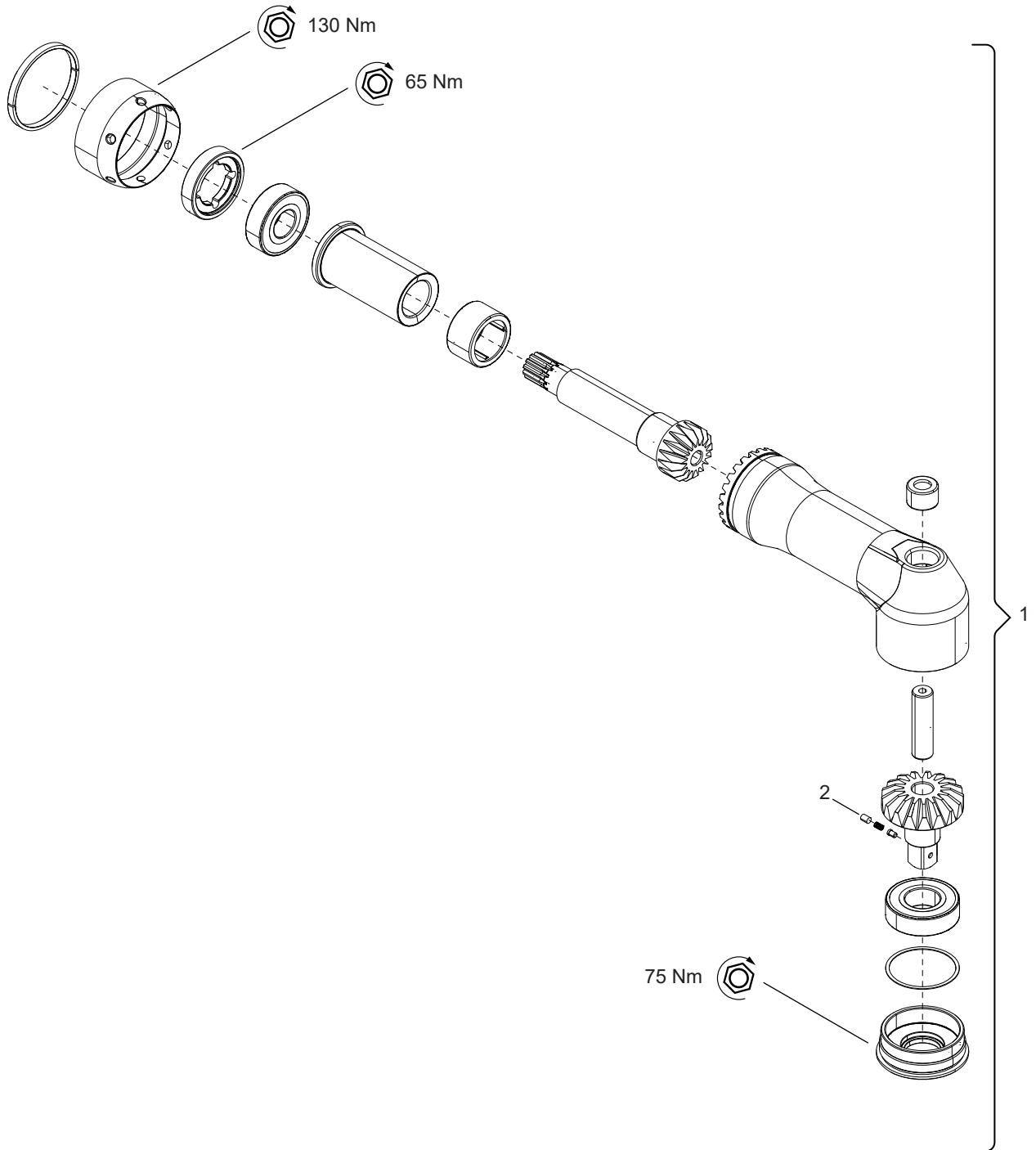
MODELS
50EAN110KA

REF	NUMBER	#	EN
			DESCRIPTION
1	302127PT	1	Right Angle Output
2	T50-3102218	1	1/2" Pin Retainer Kit

= Quantity

10

MODELS
50EAN150KB4

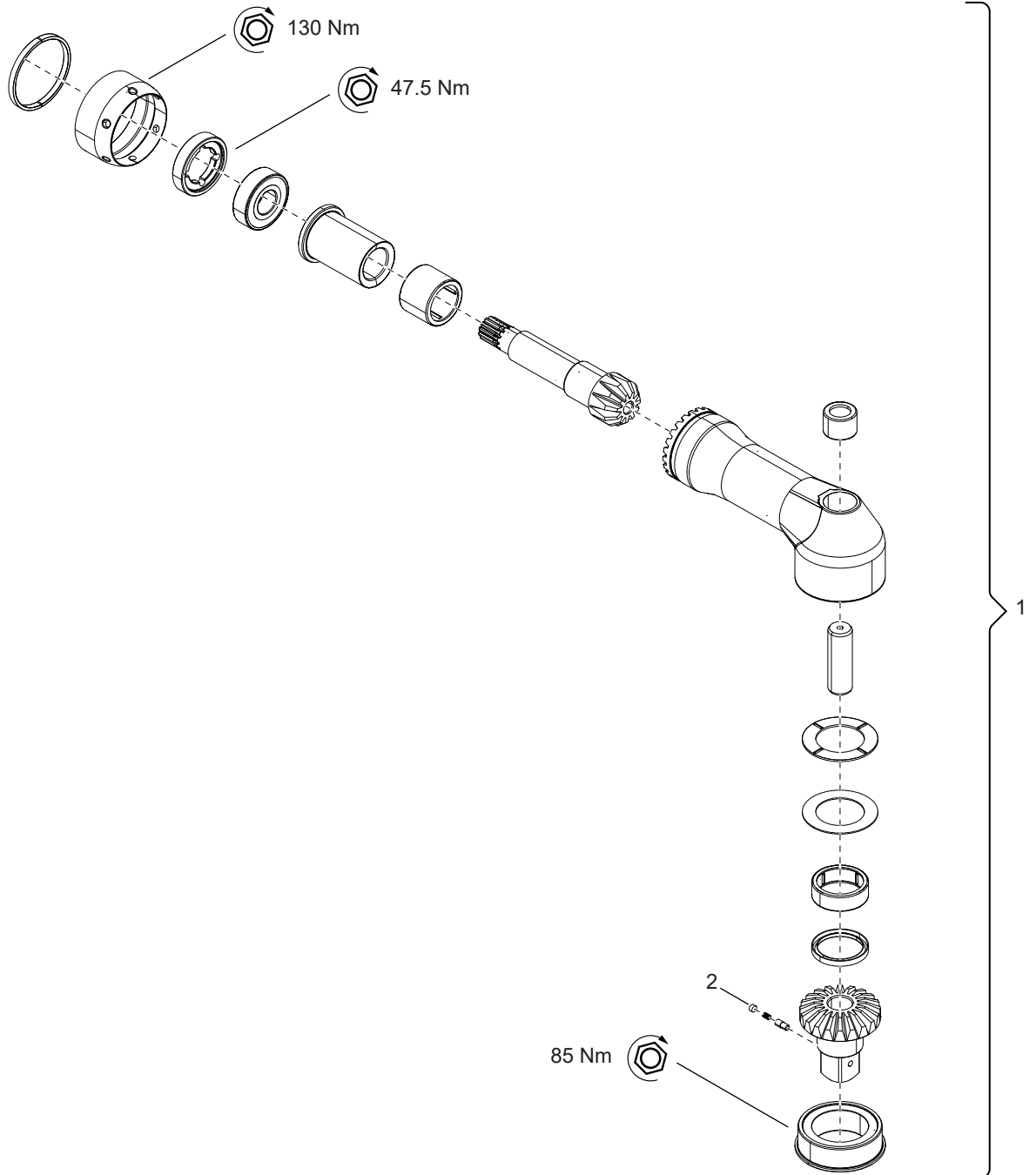


REF	NUMBER	#	EN
			DESCRIPTION
1	302176PT	1	Right Angle Output
2	T50-3102218	1	1/2" Pin Retainer Kit

= Quantity

11

MODELS
50EAN205NA6



REF	NUMBER	#	EN
			DESCRIPTION
1	302174PT	1	Right Angle Output
2	T50-3102219	1	3/4" Pin Retainer Kit

= Quantity

12

MODELS
50EAN30FA3
50EAN39GA3
50EAN59HA3
50EAN80JA4
50EAN110KA4

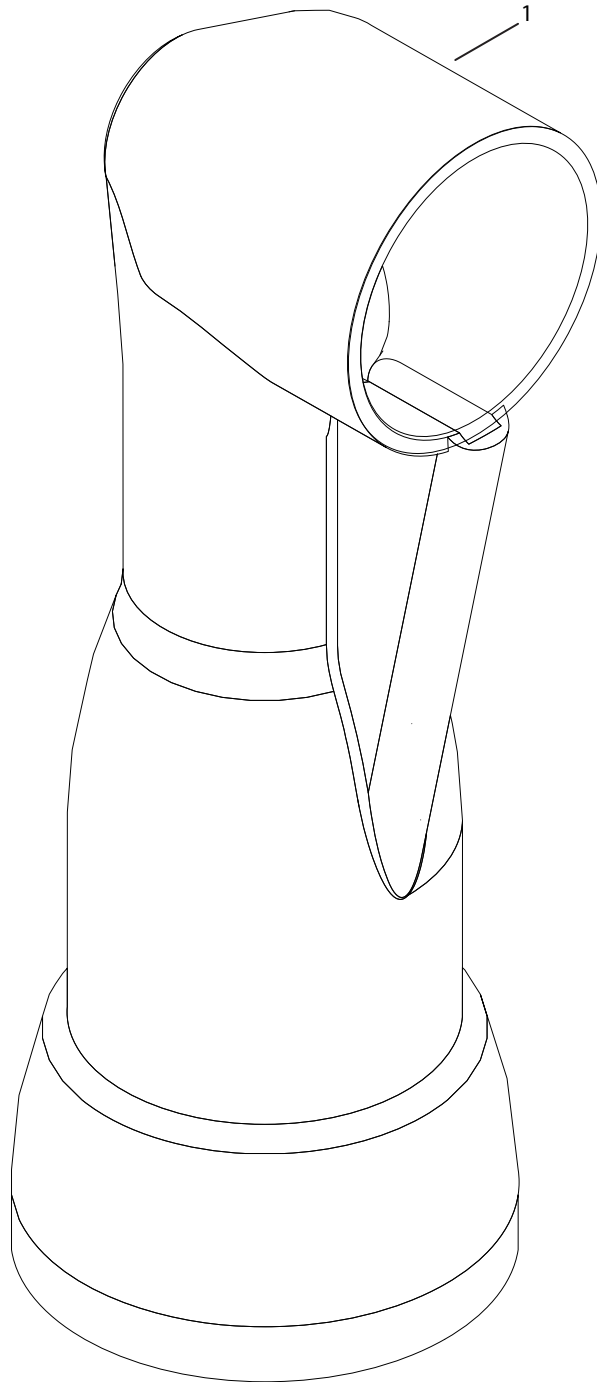
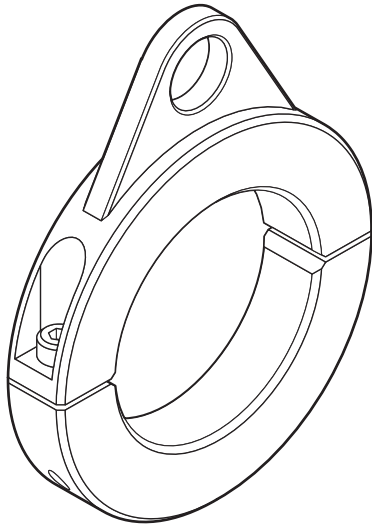


TABLE 4							
REF	DESCRIPTION	#	50EAN30FA3	50EAN39GA3	50EAN59HA3	50EAN80JA4	50EAN110KA4
1	Right Angle Head Scuff Cover	1	T50-1000841	T50-1000842	T50-1000843	T50-1000844	T50-1000845

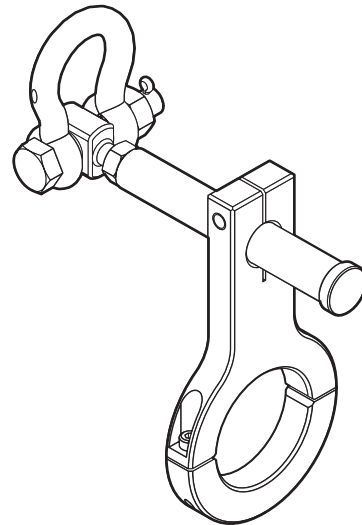
= Quantity

13

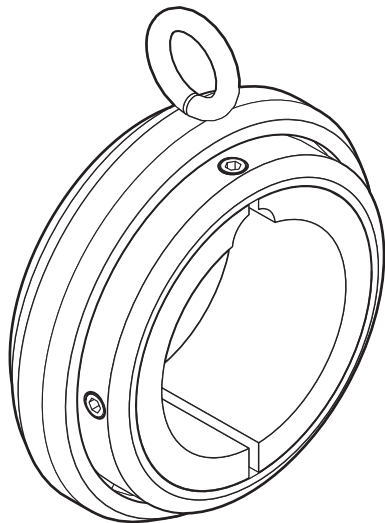
**RIGHT ANGLE
AND INLINE
30/50 SERIES**



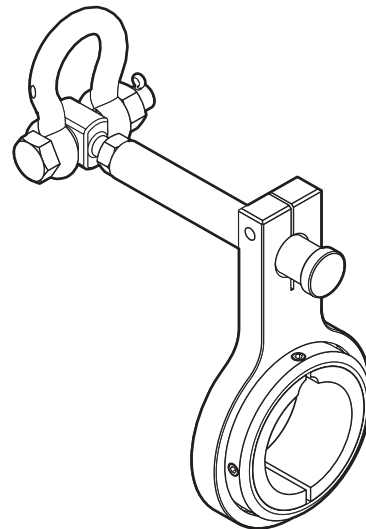
T50-3102295



T50-3102297



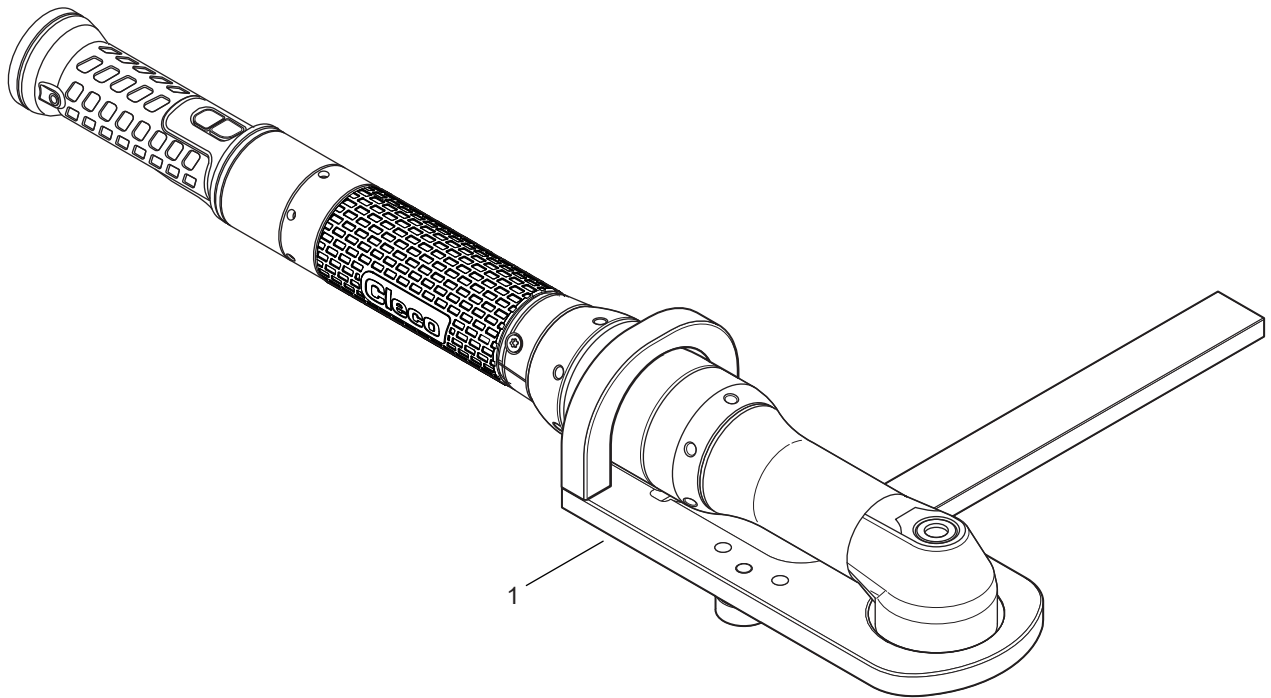
T50-3102299 - LOCATION, MOTOR HOUSING
T50-3000063 - 2 - MODEL 50EAN59HA3 - LOCATION,
ANGLE HEAD



T50-3102301

14

MODELS
50EAN59HA3
50EAN80JA4
50EAN110KA4
50EAN150KB4
50EAN205NA6



REF	NUMBER	#	EN
			DESCRIPTION
1	See Table 5	1	Reaction Bar

= Quantity

TABLE 5							
REF	DESCRIPTION	#	50EAN59HA3	50EAN80JA4	50EAN110KA4	50EAN150KB4	50EAN205NA6
1	Reaction Bar	1	T50-3000064	T50-3000065	T50-3000066	T50-3000067	T50-3000068

= Quantity

POWER TOOLS SALES & SERVICE CENTERS

Please note that all locations may not service all products.

Contact the nearest Cleco® Sales & Service Center for the appropriate facility to handle your service requirements.

 Sales Center

 Service Center

NORTH AMERICA | SOUTH AMERICA

Detroit, Michigan

Apex Tool Group
2630 Superior Court
Auburn Hills, MI 48236
Phone: +1 (248) 393-5644
Fax: +1 (248) 391-6295

Lexington, South Carolina

Apex Tool Group
670 Industrial Drive
Lexington, SC 29072
Phone: +1 (800) 845-5629
Phone: +1 (919) 387-0099
Fax: +1 (803) 358-7681

Mexico

Apex Tool Group
Vialidad El Pueblito #103
Parque Industrial Querétaro
Querétaro, QRO 76220
Mexico
Phone: +52 (442) 211 3800
Fax: +52 (800) 685 5560

Brazil

Apex Tool Group
Av. Liberdade, 4055
Zona Industrial Iporanga
Sorocaba, São Paulo
CEP# 18087-170
Brazil
Phone: +55 15 3238 3870
Fax: +55 15 3238 3938

EUROPE | MIDDLE EAST | AFRICA

England

Apex Tool Group GmbH
C/O Spline Gauges
Piccadilly, Tamworth
Staffordshire B78 2ER
United Kingdom
Phone: +44 1827 8727 71
Fax: +44 1827 8741 28

Germany

Apex Tool Group GmbH
Industriestraße 1
73463 Westhausen
Germany
Phone: +49 (0) 73 63 81 0
Fax: +49 (0) 73 63 81 222

Hungary

Apex Tool Group
Hungária Kft.
Platánfa u. 2
9027 Győr
Hungary
Phone: +36 96 66 1383
Fax: +36 96 66 1135

ASIA PACIFIC

Australia

Apex Tool Group
519 Nurigong Street, Albury
NSW 2640
Australia
Phone: +61 2 6058 0300

China

Apex Power Tool Trading
(Shanghai) Co., Ltd.
2nd Floor, Area C
177 Bi Bo Road
Pu Dong New Area, Shanghai
China 201203 P.R.C.
Phone: +86 21 60880320
Fax: +86 21 60880298

India

Apex Power Tool India
Private Limited
Gala No. 1, Plot No. 5
S. No. 234, 235 & 245
Indialand Global
Industrial Park
Taluka-Mulsi, Phase I
Hinjawadi, Pune 411057
Maharashtra, India
Phone: +91 020 66761111

Japan

Apex Tool Group Japan
Korin-Kaikan 5F,
3-6-23 Shibakoen, Minato-Ku,
Tokyo 105-0011, JAPAN
Phone: +81-3-6450-1840
Fax: +81-3-6450-1841

Korea

Apex Tool Group Korea
#1503, Hibrand Living Bldg.,
215 Yangjae-dong,
Seocho-gu, Seoul 137-924,
Korea
Phone: +82-2-2155-0250
Fax: +82-2-2155-0252



Apex Tool Group, LLC

Phone: +1 (800) 845-5629

Phone: +1 (919) 387-0099

Fax: +1 (803) 358-7681

www.ClecoTools.com

www.ClecoTools.de