

Cleco[®]

Parts Manual

SP12-1114

2025-01 | REV. B

NeoTek[™]

70EAN Series

Corded Electric Assembly Tool



For additional product information visit our website at <http://www.ClecoTools.com>

Copyright © Apex Tool Group, 2025

No part of this document may be reproduced in any way or in any form, in whole or in part, or in a natural or machine-readable language, or transmitted on electronic, mechanical, optical, or other media, without the express permission of the Apex Tool Group.

Disclaimer

The Apex Tool Group reserves the right to modify, supplement, or improve this document or the product without prior notice.

Trademark

Cleco is a registered trademark of Apex Brands, Inc.

Apex Tool Group

670 Industrial Drive
Lexington, SC 29072

Manufacturer:

Apex Tool Group GmbH
Industriestraße 1
73463 Westhausen, Germany

Importers:

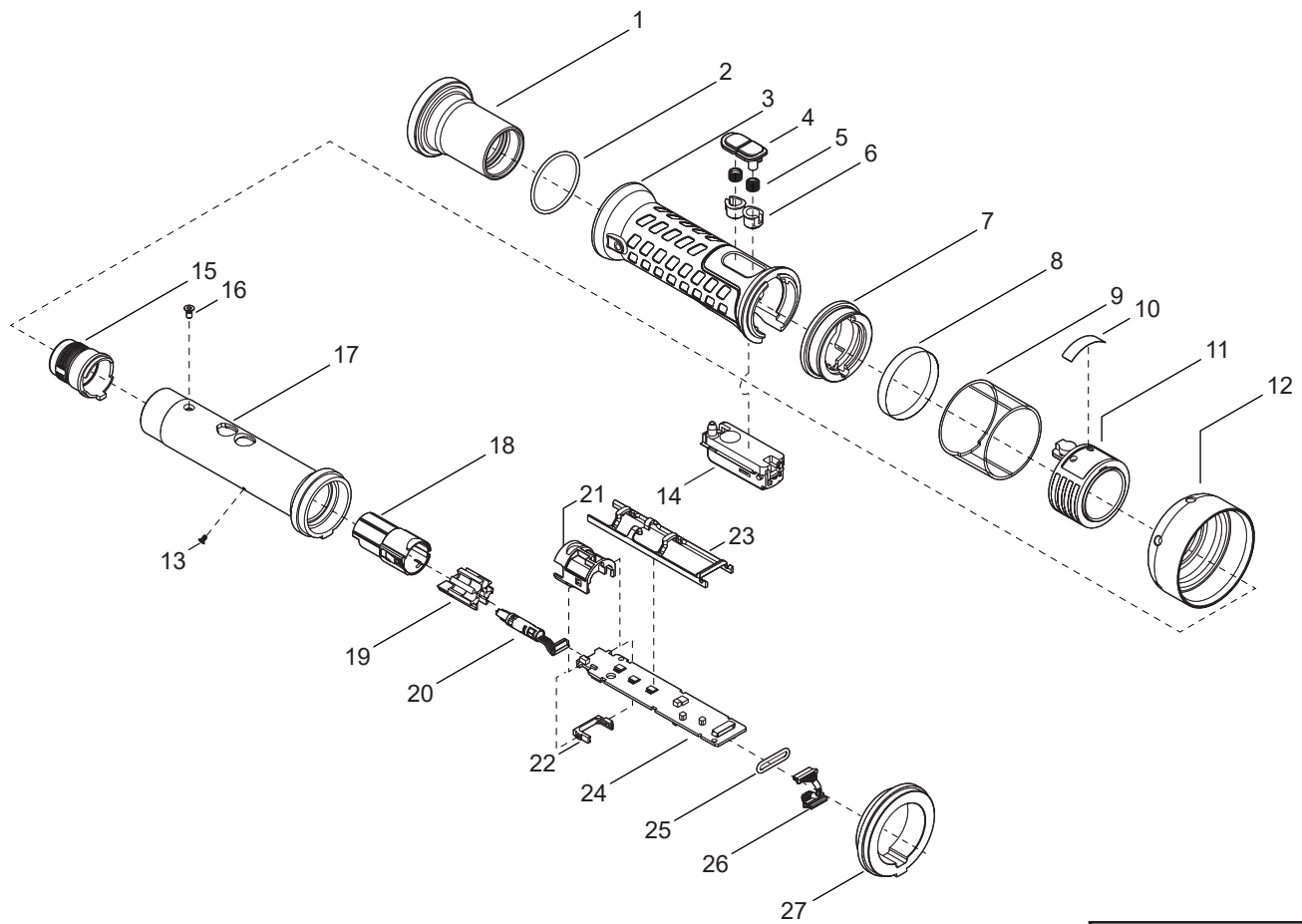
Apex Tool Group, LLC
670 Industrial Drive
Lexington, South Carolina 29072, USA





Further Document for Safety Instructions

No.	Document type
TM12-1109	Instruction Manual 30 & 50 & 70 Series NeoTek

01

MODELS
 70EAN155NA6
 70EAN205NA6
 70EAN240PA6
 70EAN350PA6
 70EAN600SA8T
 70EAN800TA8MT
 70EAN1500TA8MT
 70EAN2000TB8MT
 70EAN4000UA12MT



-  # 1 37 Nm
-  # 12 90 Nm
-  # 13 0.42 Nm
-  # 16 0.9 Nm

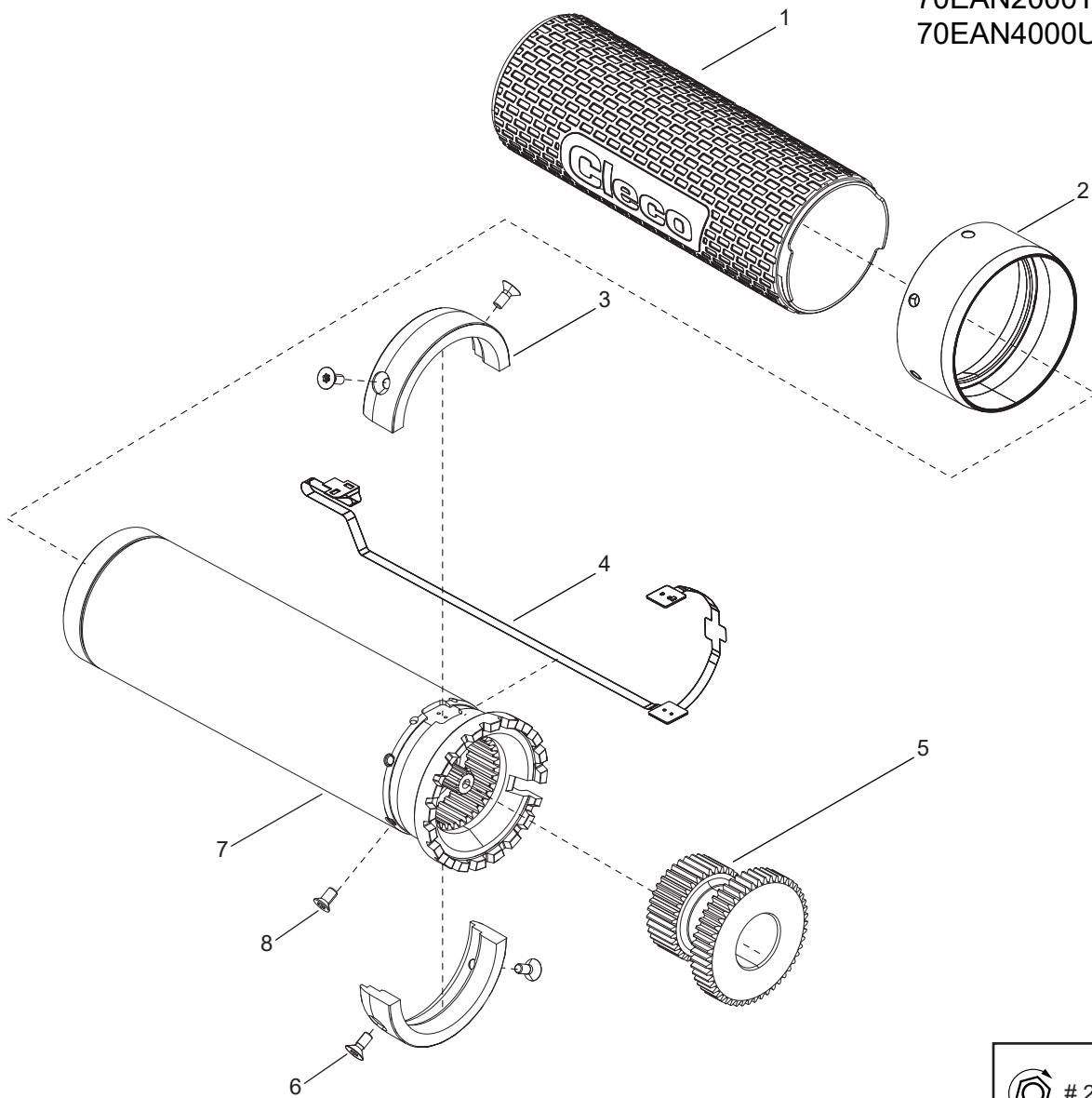
REF	NUMBER	#	EN
			DESCRIPTION
1	208746PT	1	Handle Nut
2	22598	1	O Ring
3	208532PT	1	Handle Grip
4	302085PT	2	Button
5	208002PT	2	Spring
6	207963PT	2	Button Guide
7	207964PT	1	Label Ring
8	944728PT	1	Label
9	207925PT	1	Protective Ring
10	207967PT	1	Label
11	207905PT	1	Light Ring Assembly
12	T50-1102680	1	Handle Nut
13	207949PT	1	Screw
14	302086PT	1	Start Switch Assembly
15	961559PT	1	Housing Connector
16	207921PT	1	Screw
17	207903PT	1	Inner Handle
18	961558PT	1	Connector Body
19	961692PT	1	Contact Carrier
20	961557PT	1	TIM Cable
21	961564PT	1	Circuit Board Holder
22	961575PT	1	Rubber Grommet
23	T50-1000391	1	Wire Guide
24	961668PT	1	TIM Board
25	60371	1	O Ring
26	T55-1000046	1	Encoder Cable
27	T50-1000152	1	Handle Adapter



= Quantity

02

MODELS

- 70EAN155NA6
- 70EAN205NA6
- 70EAN240PA6
- 70EAN350PA6
- 70EAN600SA8T
- 70EAN800TA8MT
- 70EAN1500TA8MT
- 70EAN2000TB8MT
- 70EAN4000UA12MT



	# 2 130 Nm
	# 6 1.4 Nm

REF	NUMBER	#	EN
			DESCRIPTION
1	T50-1102679	1	Motor Cover
2	T50-1000154	1	Motor Nut
3	T50-1102681	2	Accessory Cover
4	961702PT	1	Flex Cable
5	See Table 1	1	Transducer
6	T50-1102742	4	Screw
7	961640PT	1	Motor Assembly
8	T50-1000305	1	Screw

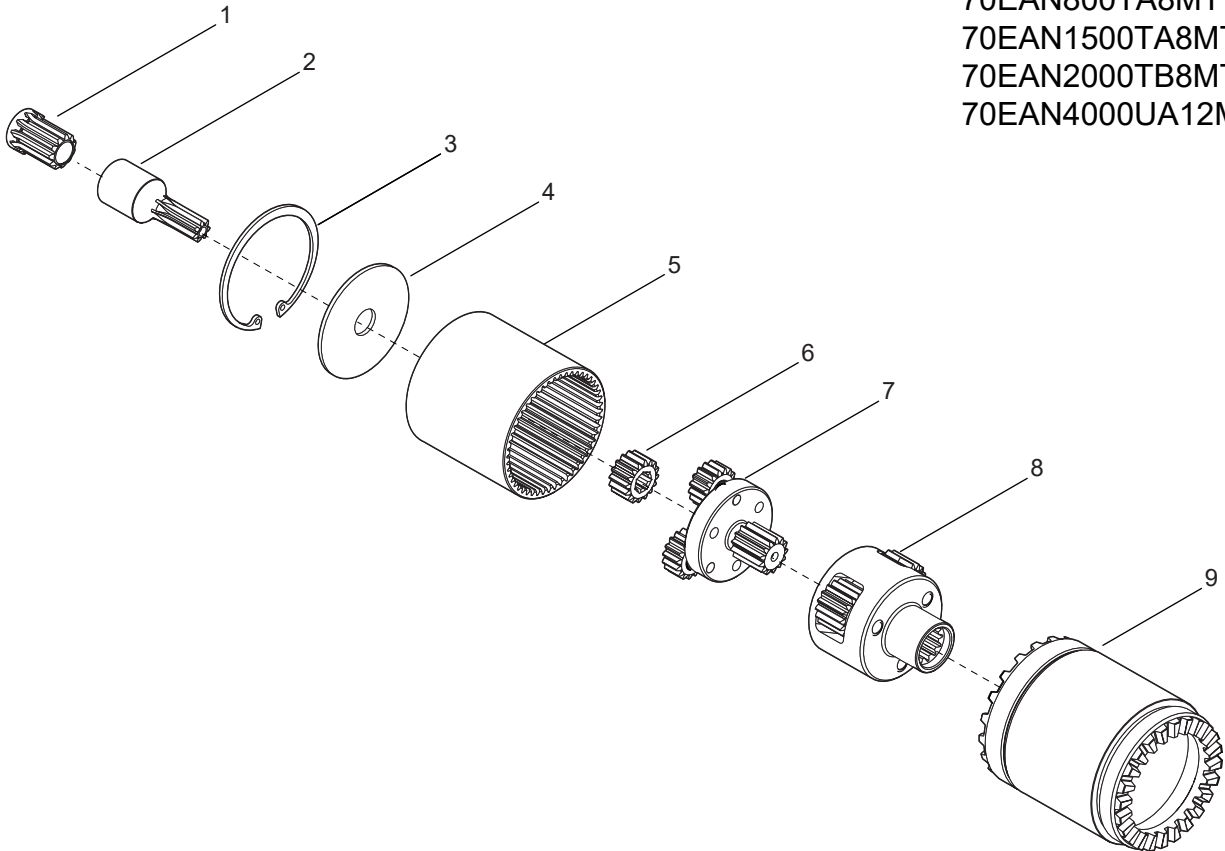
= Quantity

TABLE 1						
REF	DESCRIPTION	#	70EAN155NA6 70EAN800TA8MT 70EAN4000A12MT	70EAN205NA6 70EAN240PA6	70EAN350PA6 70EAN1500TA8MT 70EAN2000TB8MT	70EAN600SA8T
5	Transducer	1	961796PT-096	961795PT-128	961795PT-184	961795PT-245

= Quantity

03

MODELS
70EAN155NA6
70EAN205NA6
70EAN240PA6
70EAN350PA6
70EAN600SA8T
70EAN800TA8MT
70EAN1500TA8MT
70EAN2000TB8MT
70EAN4000UA12MT



REF	NUMBER	#	EN
			DESCRIPTION
1	T50-3000142	1	Pinion Adapter
2	See Table 2	1	Pinion
3	622065	1	Retaining Ring
4	T50-1000123	1	Washer
5	T50-1000112	1	Ring Gear
6	See Table 2	1	Slip On Gear
7	See Table 2	1	Planetary Gear Assembly
8	See Table 2	1	Planetary Gear Assembly
9	T50-1000192	1	Gear Case

= Quantity

TABLE 2						
REF	DESCRIPTION	#	70EAN155NA6	70EAN205NA6	70EAN240PA6	70EAN350PA6
2	Pinion	1	T50-1000113	T50-1000113	T50-1000113	T50-1000113
6	Slip On Gear	1	T50-1000115	T50-1000115	T50-1000115	N/A
7	Planetary Gear Assembly	1	T50-3000624	T50-3000626	T50-3000626	T50-3000629
8	Planetary Gear Assembly	1	T50-3000625	T50-3000627	T50-3000628	T50-3000630

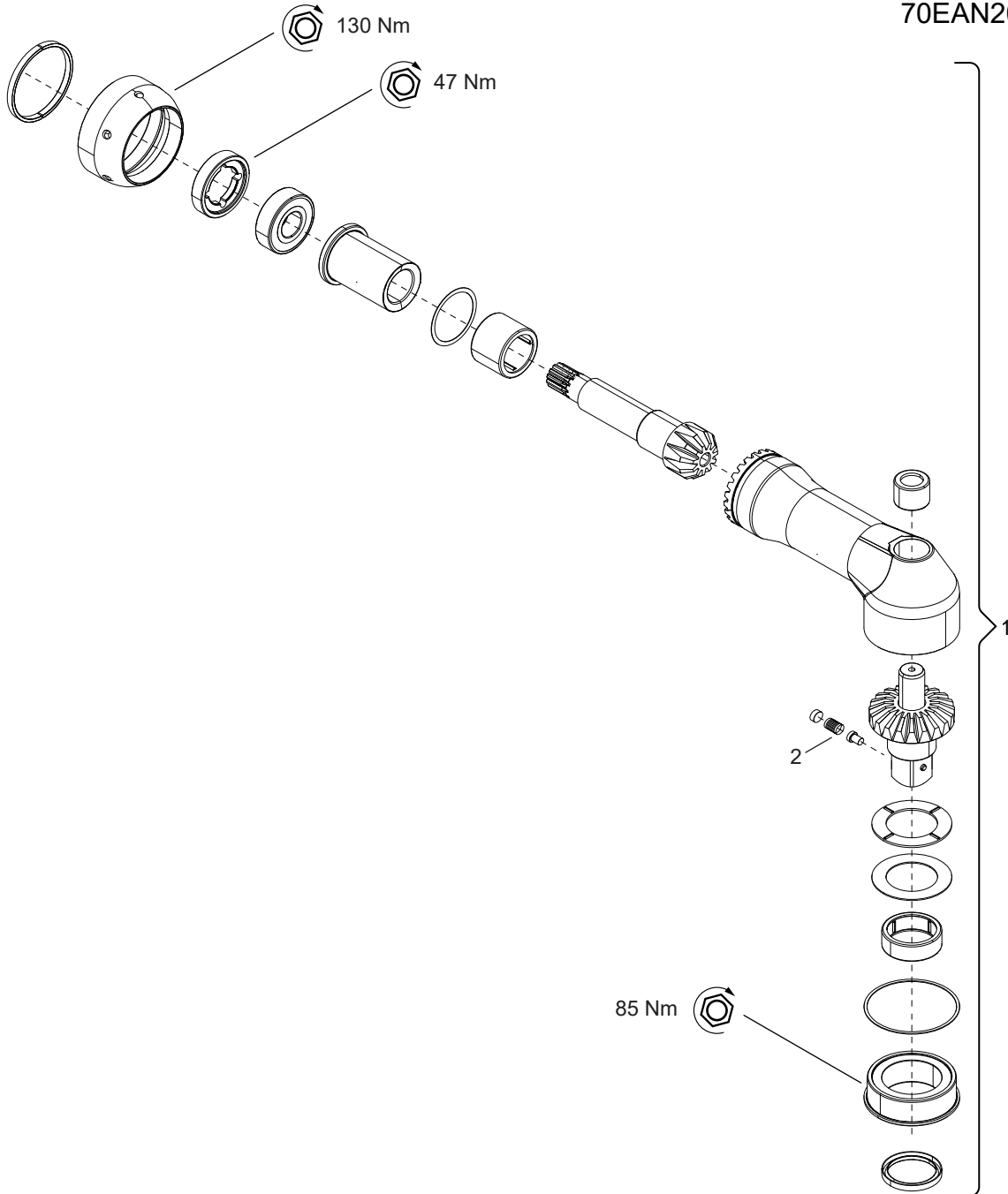
TABLE 2 CONTINUED						
REF	DESCRIPTION	#	70EAN600SA8T	70EAN800TA8MT	70EAN1500TA8MT	70EAN2000TB8MT
2	Pinion	1	T50-1001508	T50-1001508	T50-1001508	T50-1001508
6	Slip On Gear	1	N/A	T50-1000115	N/A	N/A
7	Planetary Gear Assembly	1	T50-3000656	T50-3000624	T50-3000629	T50-3000656
8	Planetary Gear Assembly	1	T50-3000628	T50-3000630	T50-3000630	T50-3000628

TABLE 2 CONTINUED			
REF	DESCRIPTION	#	70EAN4000UA12MT
2	Pinion	1	T50-1001508
6	Slip On Gear	1	T50-1000115
7	Planetary Gear Assembly	1	T50-3000624
8	Planetary Gear Assembly	1	T50-3000630

= Quantity

04

MODELS
70EAN155NA6
70EAN205NA6

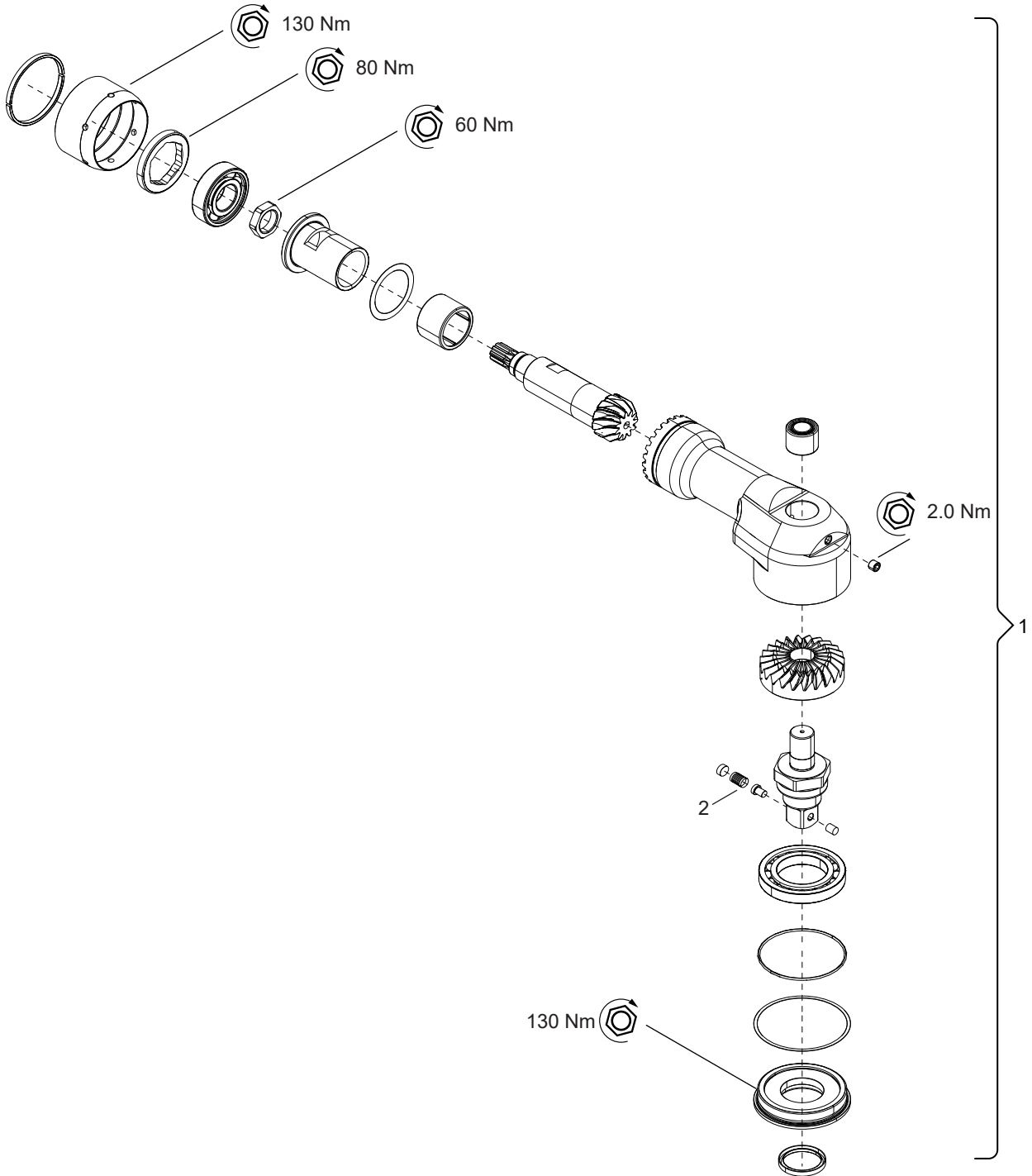


REF	NUMBER	#	EN
			DESCRIPTION
1	T50-3000151	1	Angle Head Assembly
2	T50-3102219	1	3/4" Pin Retainer Kit

= Quantity

05

MODELS
70EAN240PA6
70EAN350PA6

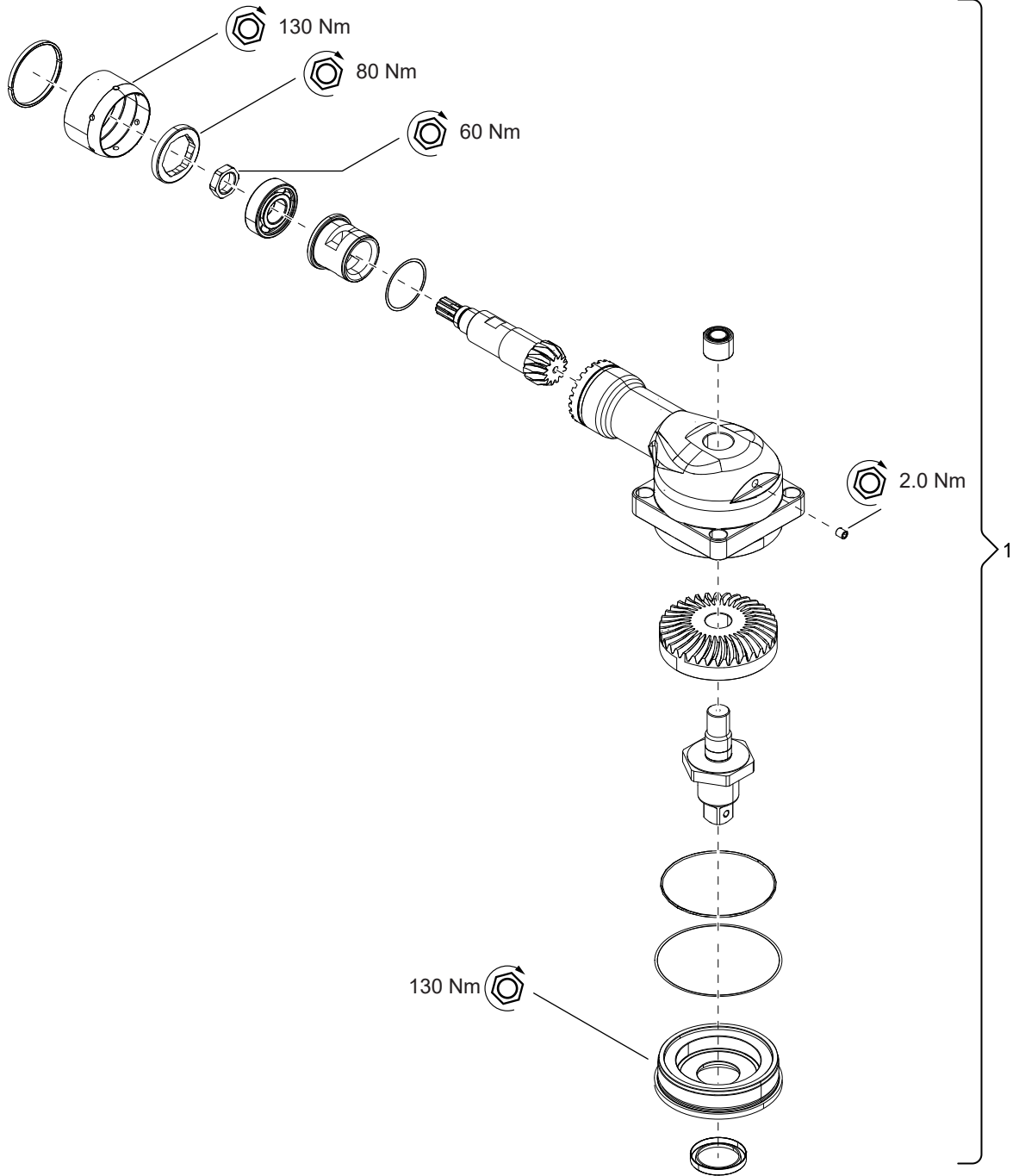


REF	NUMBER	#	EN
			DESCRIPTION
1	T50-3000081	1	Angle Head Assembly
2	T50-3102222	1	3/4" Pin Retainer Kit

= Quantity

06

MODELS
70EAN600SA8T

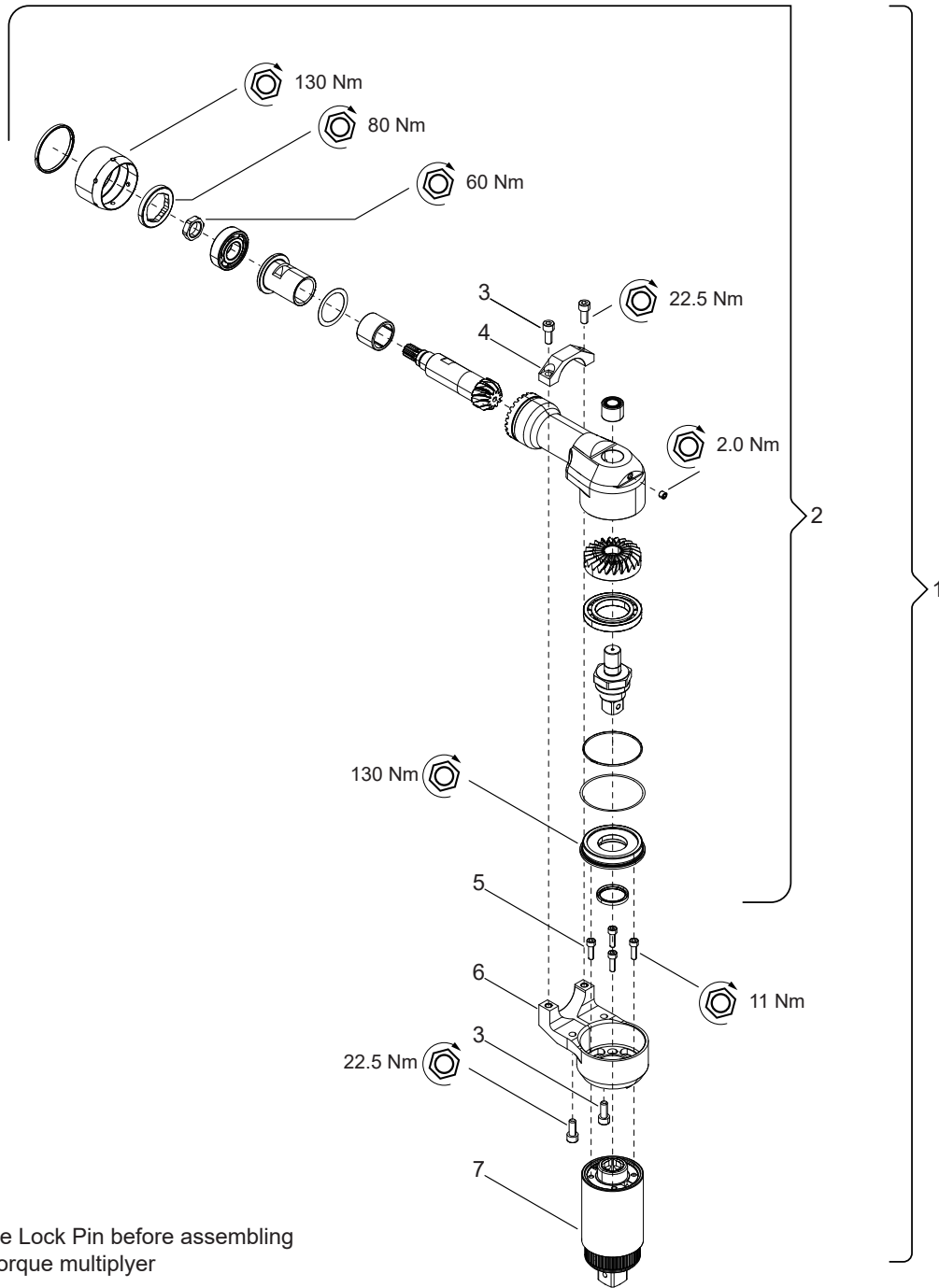


REF	NUMBER	#	EN
			DESCRIPTION
1	T50-3000679	1	Angle Head Assembly

= Quantity

07

MODELS
70EAN800TA8MT
70EAN1500TA8MT



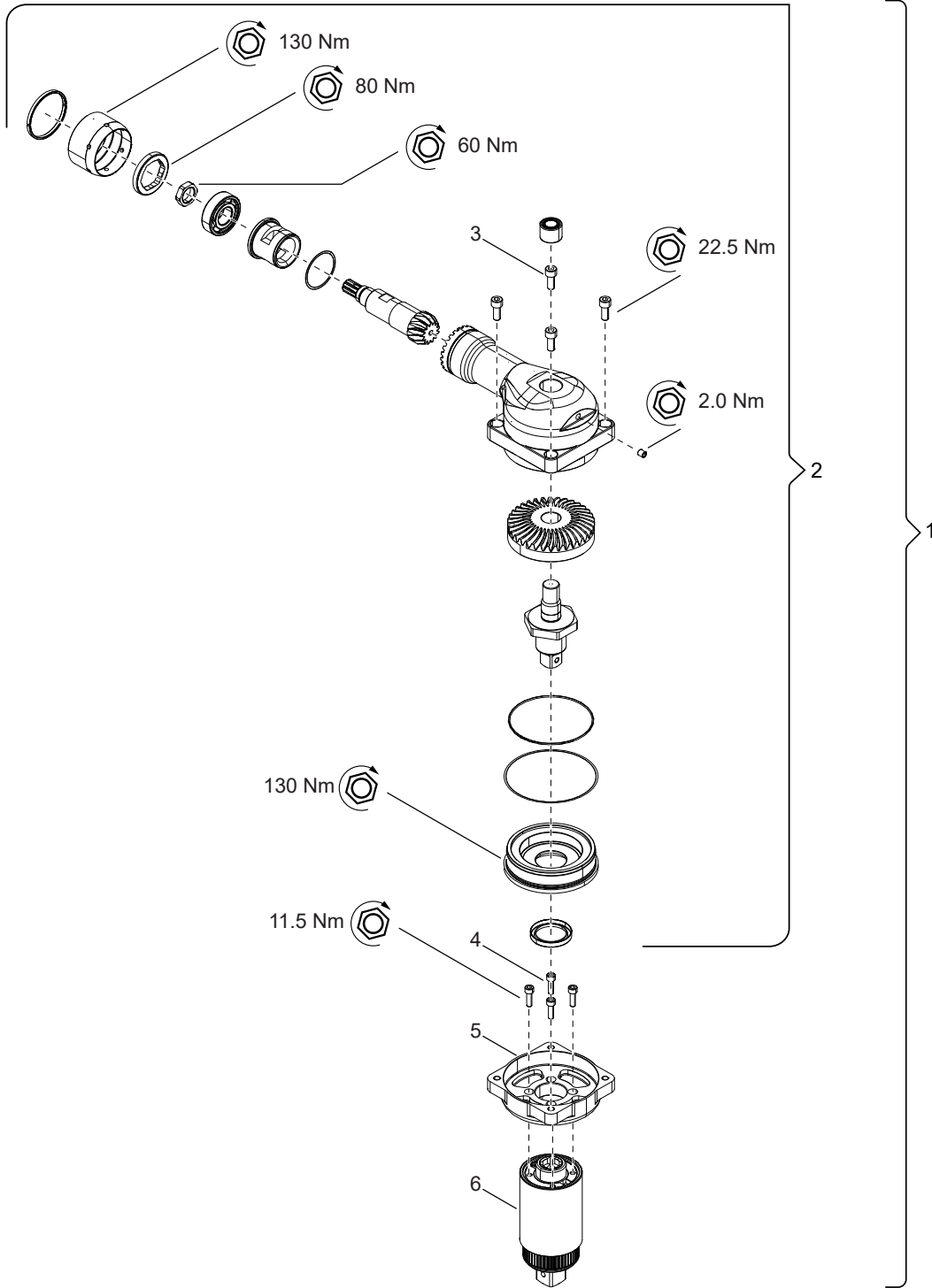
NOTE : Remove Lock Pin before assembling angle head to torque multiplier

REF	NUMBER	#	EN
			DESCRIPTION
1	T50-3000682	1	Angle Head Assembly with Gear Assembly
2	T50-3000081	1	Angle Head Assembly
3	T50-1001169	4	Screw
4	T50-1001190	1	Top Flange
5	T50-1001189	4	Screw
6	T50-1001168	1	Adapter
7	T50-1001171	1	Gear Assembly

= Quantity

08

MODELS
70EAN2000TB8MT

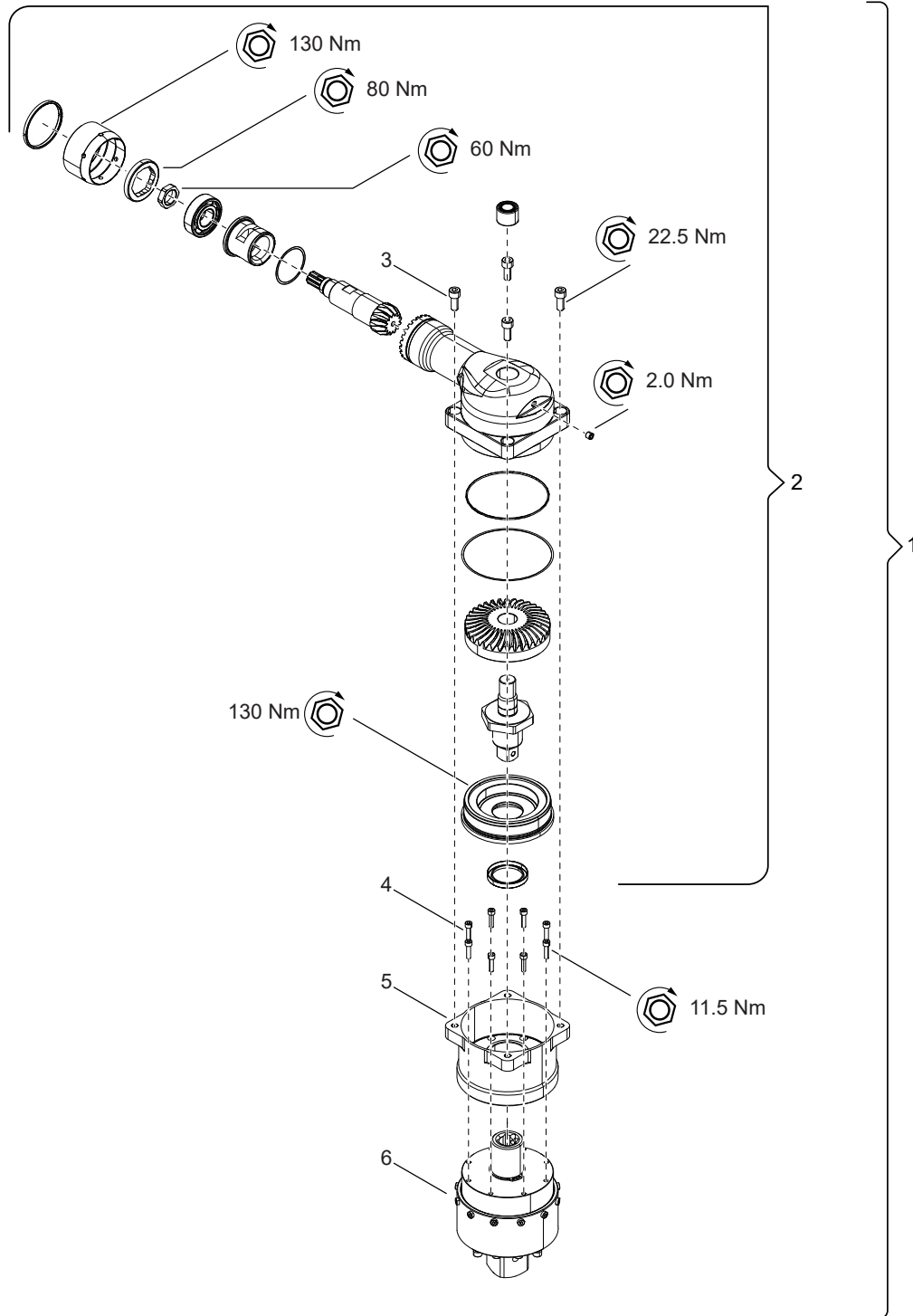


REF	NUMBER	#	EN
			DESCRIPTION
1	T50-3000681	1	Angle Head Assembly with Gear Assembly
2	T50-3000707	1	Angle Head Assembly
3	T50-1001169	4	Screw
4	T50-1001189	4	Screw
5	T50-1001191	1	Adapter Housing
6	T50-1001171	1	Gear Assembly

= Quantity

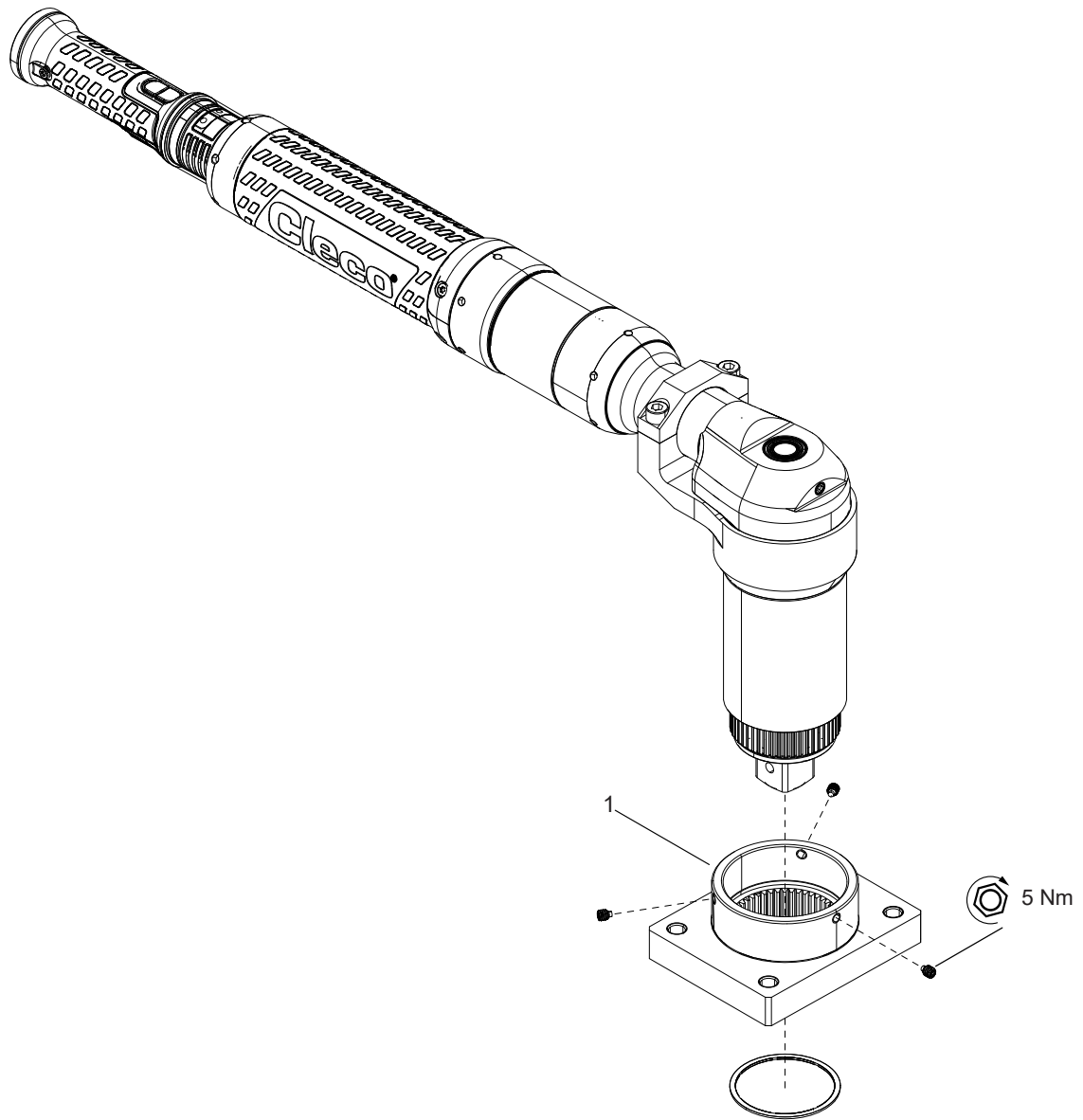
09

MODELS
70EAN4000UA12MT



REF	NUMBER	#	EN
			DESCRIPTION
1	T50-3000714	1	Angle Head Assembly with Gear Assembly
2	T50-3000707	1	Angle Head Assembly
3	T50-1001169	4	Screw
4	T50-1001222	8	Screw
5	T50-3000735	1	Adapter Housing
6	T50-1001220	1	Gear Assembly

= Quantity

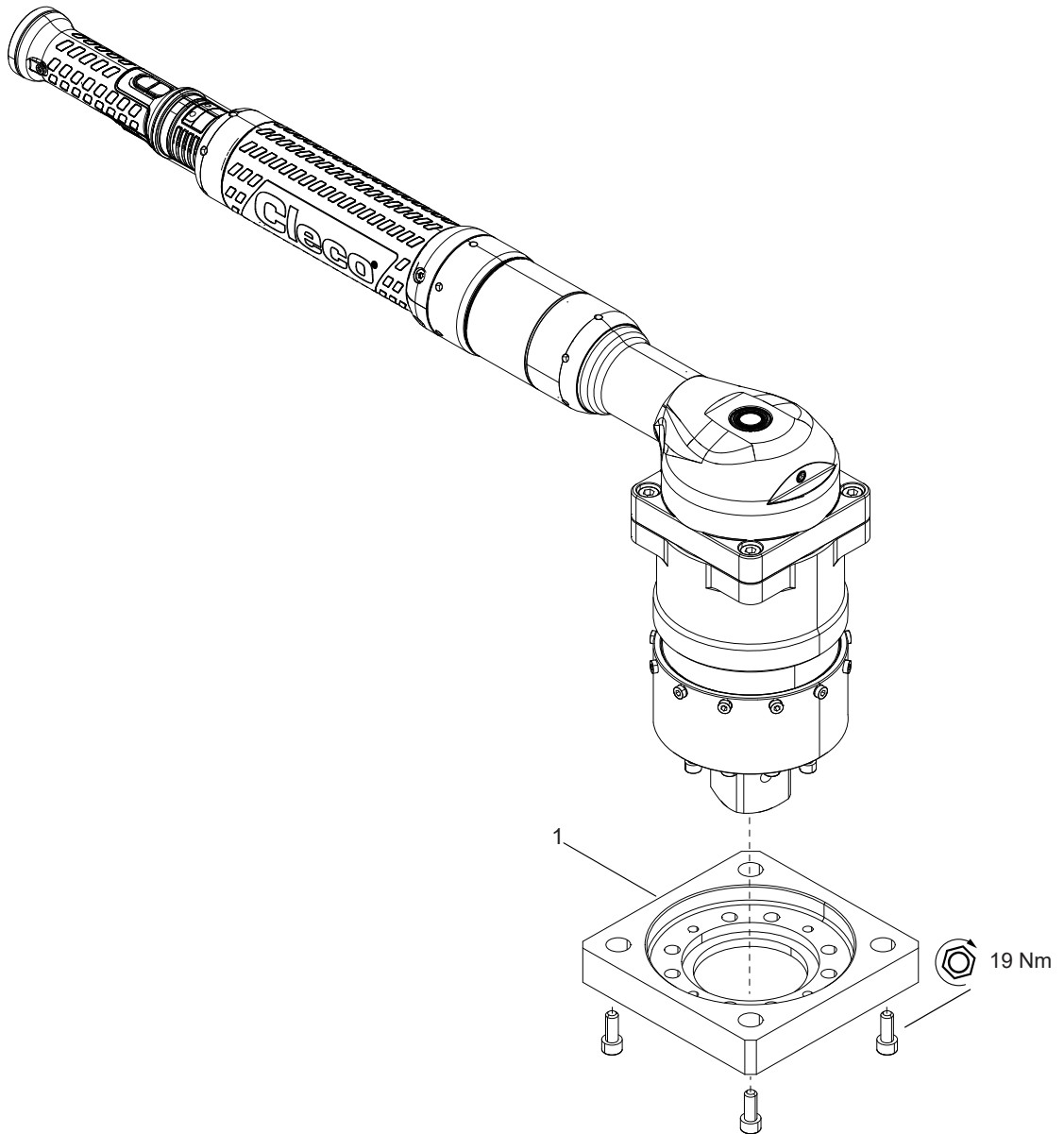
10MODELS
70EAN800TA8MT
70EAN1500TA8MT
70EAN2000TB8MT

REF	NUMBER	#	EN
			DESCRIPTION
1	T50-3000794	1	Plate

= Quantity

11

MODELS
70EAN4000UA12MT



REF	NUMBER	#	EN
			DESCRIPTION
1	T50-1001317	1	Plate

= Quantity

POWER TOOLS SALES & SERVICE CENTERS

Please note that all locations may not service all products.

Contact the nearest Cleco® Sales & Service Center for the appropriate facility to handle your service requirements.

 Sales Center

 Service Center

NORTH AMERICA | SOUTH AMERICA

Detroit, Michigan

Apex Tool Group
2630 Superior Court
Auburn Hills, MI 48236
Phone: +1 (248) 393-5644
Fax: +1 (248) 391-6295

Lexington, South Carolina

Apex Tool Group
670 Industrial Drive
Lexington, SC 29072
Phone: +1 (800) 845-5629
Phone: +1 (919) 387-0099
Fax: +1 (803) 358-7681

Mexico

Apex Tool Group
Vialidad El Pueblito #103
Parque Industrial Querétaro
Querétaro, QRO 76220
Mexico
Phone: +52 (442) 211 3800
Fax: +52 (800) 685 5560

Brazil

Apex Tool Group
Av. Liberdade, 4055
Zona Industrial Iporanga
Sorocaba, São Paulo
CEP# 18087-170
Brazil
Phone: +55 15 3238 3870
Fax: +55 15 3238 3938

EUROPE | MIDDLE EAST | AFRICA

England

Apex Tool Group GmbH
C/O Spline Gauges
Piccadilly, Tamworth
Staffordshire B78 2ER
United Kingdom
Phone: +44 1827 8727 71
Fax: +44 1827 8741 28

Germany

Apex Tool Group GmbH
Industriestraße 1
73463 Westhausen
Germany
Phone: +49 (0) 73 63 81 0
Fax: +49 (0) 73 63 81 222

Hungary

Apex Tool Group
Hungária Kft.
Platánfa u. 2
9027 Győr
Hungary
Phone: +36 96 66 1383
Fax: +36 96 66 1135

ASIA PACIFIC

Australia

Apex Tool Group
519 Nurigong Street, Albury
NSW 2640
Australia
Phone: +61 2 6058 0300

China

Apex Power Tool Trading
(Shanghai) Co., Ltd.
2nd Floor, Area C
177 Bi Bo Road
Pu Dong New Area, Shanghai
China 201203 P.R.C.
Phone: +86 21 60880320
Fax: +86 21 60880298

India

Apex Power Tool India
Private Limited
Gala No. 1, Plot No. 5
S. No. 234, 235 & 245
Indialand Global
Industrial Park
Taluka-Mulsi, Phase I
Hinjawadi, Pune 411057
Maharashtra, India
Phone: +91 020 66761111

Japan

Apex Tool Group Japan
Korin-Kaikan 5F,
3-6-23 Shibakoen, Minato-Ku,
Tokyo 105-0011, JAPAN
Phone: +81-3-6450-1840
Fax: +81-3-6450-1841

Korea

Apex Tool Group Korea
#1503, Hibrand Living Bldg.,
215 Yangjae-dong,
Seocho-gu, Seoul 137-924,
Korea
Phone: +82-2-2155-0250
Fax: +82-2-2155-0252



Apex Tool Group, LLC

Phone: +1 (800) 845-5629
Phone: +1 (919) 387-0099
Fax: +1 (803) 358-7681
www.ClecoTools.com
www.ClecoTools.de